

SIM IN A BOX™



ASSEMBLY INSTRUCTIONS

EAGLE PLUS / BIRDIE PACKAGE

Version 1.1

FORESIGHT
SPORTS

BEFORE YOU GET STARTED

THANK YOU for purchasing our SIM-IN-A-BOX package.

We're sure this package will provide you with years of enjoyment. Before getting started with assembly, please confirm the following to ensure your safety and those using your simulator:

Measure and confirm you have enough space to safely install and play. The final setup size of your simulator will be approximately 10 feet tall x 14 feet deep x 13 feet wide. Make sure you have extra space for the assembly process.



Make sure you have an assistant during the assembly process. The frame assembly requires TWO PEOPLE to safely complete.

Make sure you have all required and recommended tools to ensure a safe assembly and setup process.

Following these simple guidelines will ensure you get the most out of your purchase, the safest way possible.

CONTENTS INSIDE THE BOX

COMPONENTS

- (1) Frame Assembly System
- (1) Front (Hitting) Screen
- (1) Back Screen
- (2) Inner Walls
- (2) Outer Wall Covers
- (1) Lid Panel
- (1) Above Screen Panel
- (1) Blackout Panel
- (1) Rolling Computer Cart
- (2) Rolls of Turf
- (1) Hitting Mat and Tray System
- (1) Simulation Optimized PC
- (1) Wireless Keyboard/Trackpad
- (1) Projector with Power and HDMI Cables
- (1) GCQuad or GC2 Launch Monitor

TOOLS

- (1) Ratchet with 3/4" Socket
- (1) 15 Ft Steel Fish Tape (Roll)
- (1) Zip Ties (Bundle)
- (1) 15' Ratcheting Rope
- (1) Shock Cord

REQUIRED TOOLS & ITEMS

REQUIRED TOOLS (NOT INCLUDED)

- (2) 6-8' Ladders



RECOMMENDED TOOLS (NOT INCLUDED)

- Impact Drill with 3/8" Impact Adapter
- Snips for cutting Zip Ties
- Work Gloves
- Eye Protection Glasses

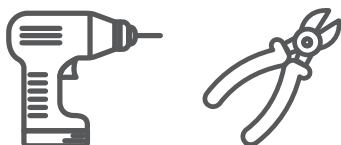


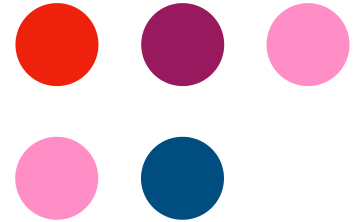
TABLE OF CONTENTS

STEP 1: FRAME ASSEMBLY	Page 6
STEP 2: TURF & SCREEN	Page 20
STEP 3: EXTERIOR PANELS	Page 29
STEP 4: COMPONENT SETUP	Page 37
STEP 5: SOFTWARE SETUP	Page 46

STEP 1: FRAME ASSEMBLY

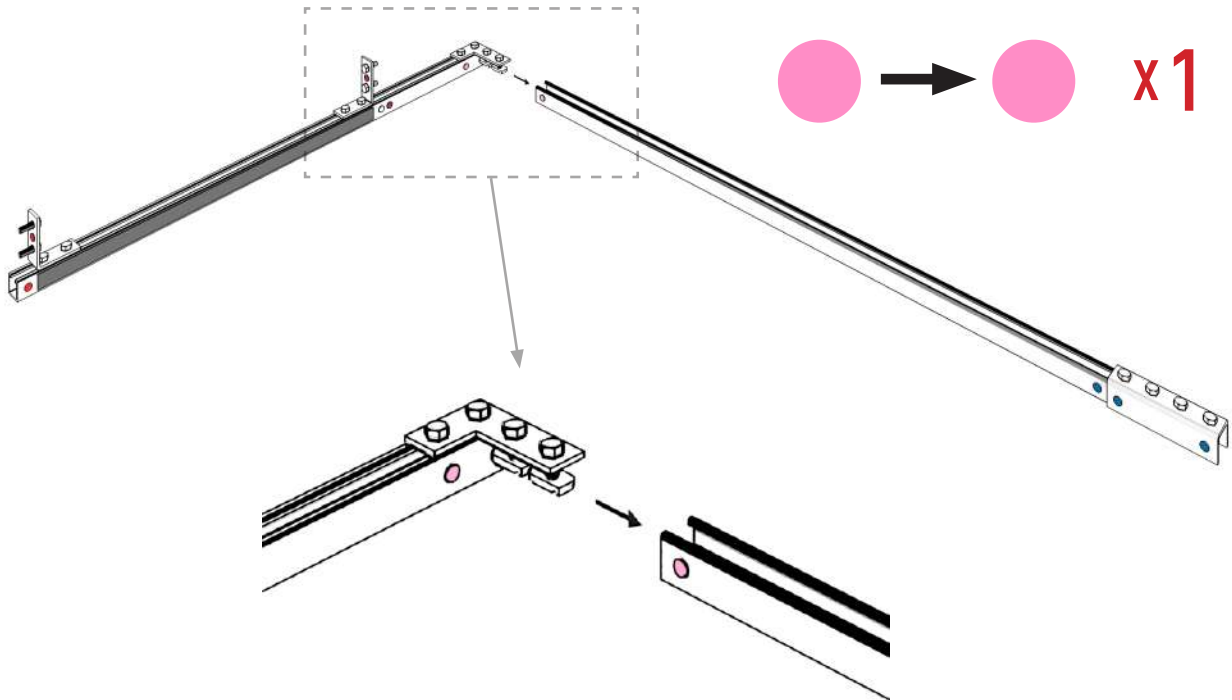
1A

Locate the ONE (1) Left Base (Grey Fiberglass) and the ONE (1) Rear Base Left Corner Support (Black Steel).



1B

Connect the components at the corners marked with the PINK color code using the bolts and nuts pre-attached to the left base.



STEP 1: FRAME ASSEMBLY

2A

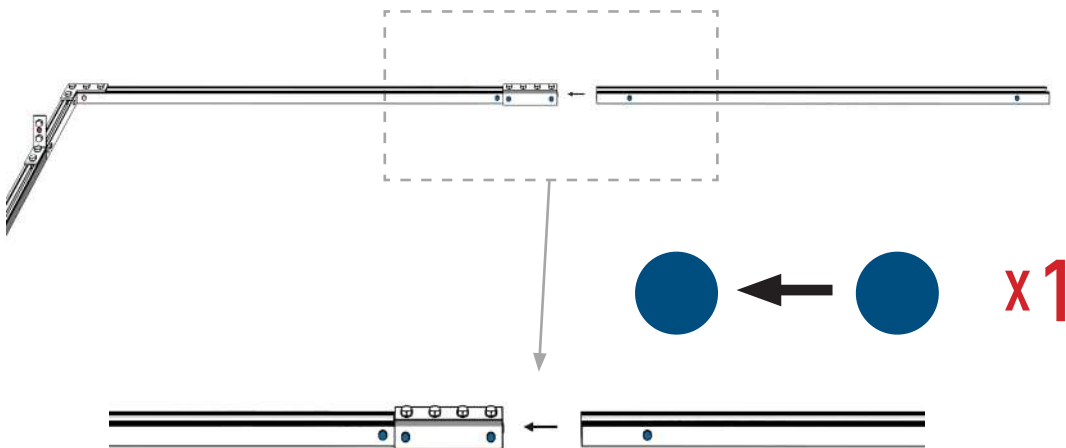
Locate the ONE (1) Rear Base Middle Support (Black Steel / No Velcro)

Rear Base Middle Support



2B

Connect to the step 1 assembly at the corners marked with the DARK BLUE color code using the bolts and nuts pre-attached to the Rear Base Left Corner Support.



STEP 1: FRAME ASSEMBLY

3A

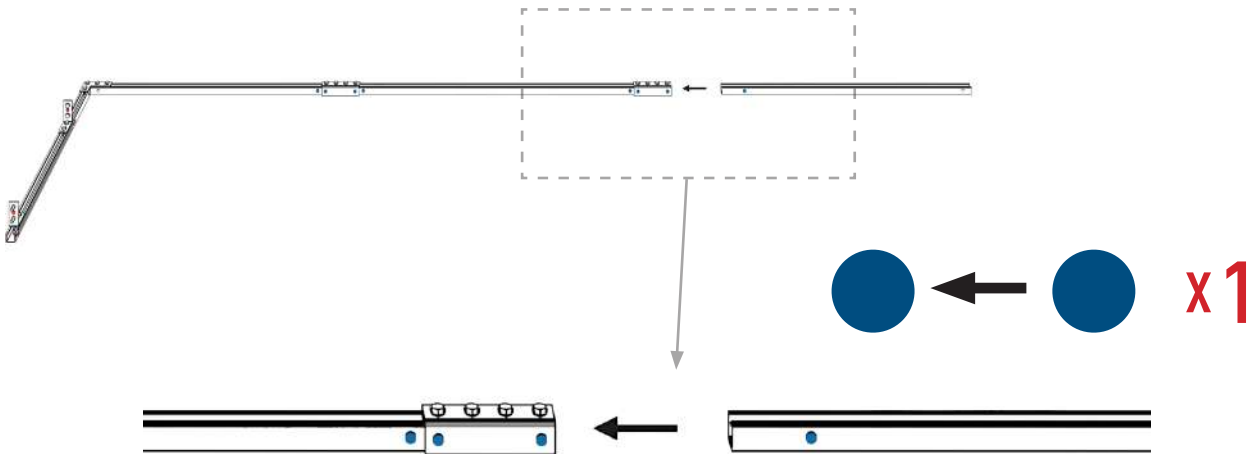
Locate the ONE (1) Rear Base Right Corner Support (Black Steel / No Velcro)

Rear Base Right Corner Support



3B

Connect to the step 2 assembly at the corners marked with the DARK BLUE color code using the bolts and nuts pre-attached to the Base Right Corner Support.



STEP 1: FRAME ASSEMBLY

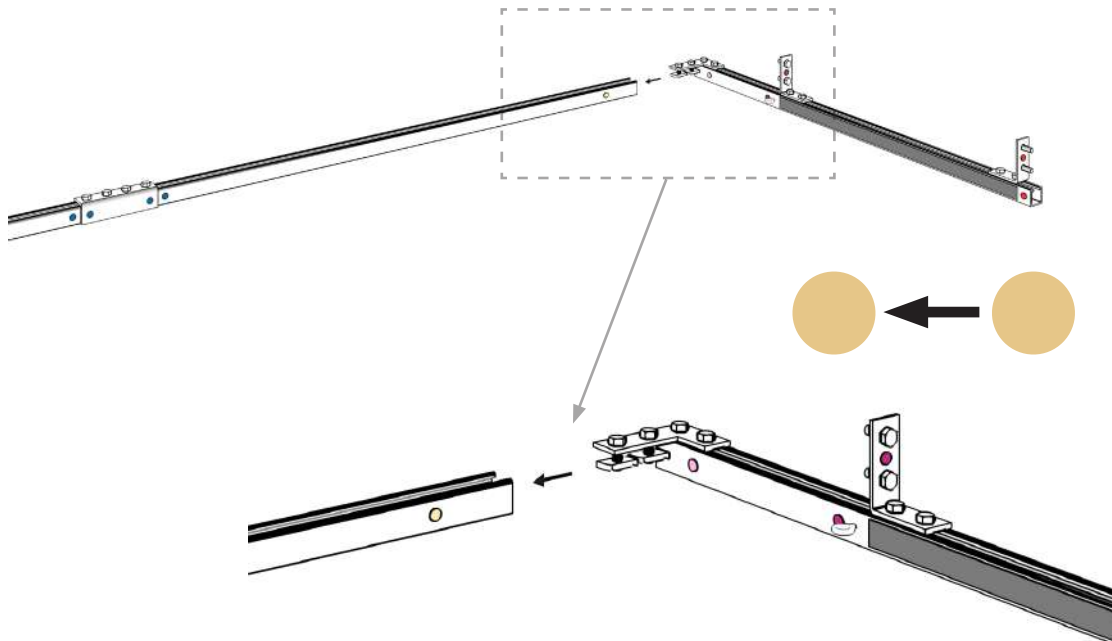
4A

Locate the ONE (1) Right Base (Grey Fiberglass).



4B

Connect to the step 3 assembly at the corners marked with the TAN color code using the bolts and nuts pre-attached to the Right Base.



STEP 1: FRAME ASSEMBLY

5A

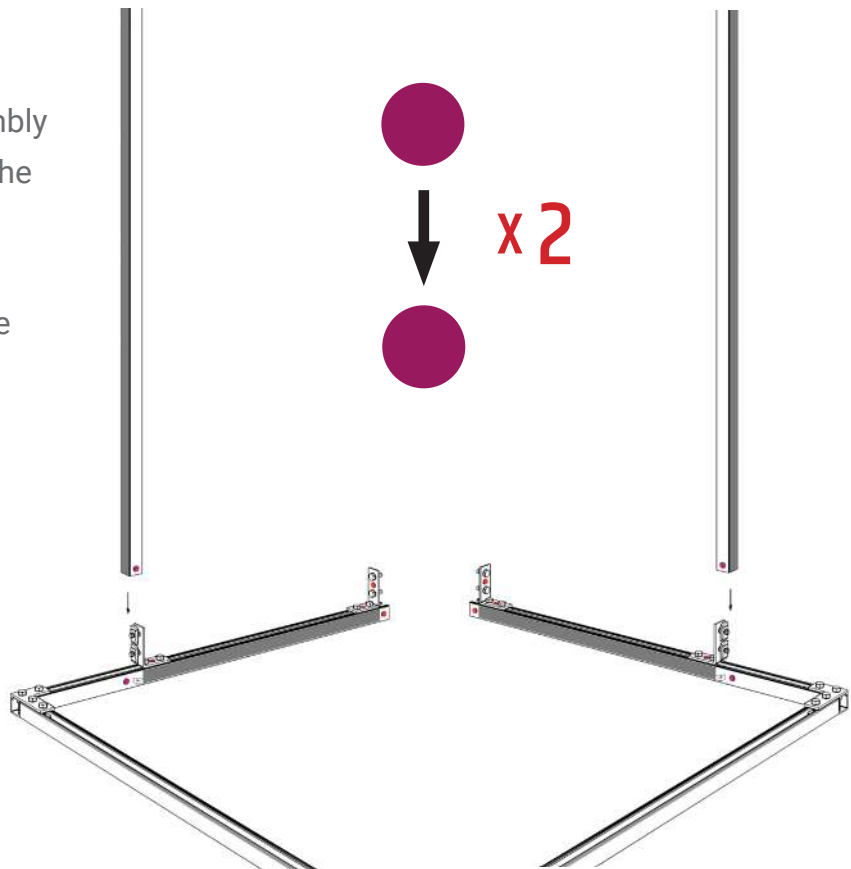
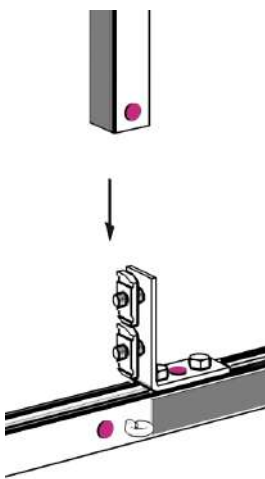
Locate the TWO (2) Rear Side Wall Bottom Supports (Grey Fiberglass).
Note: Velcro LOOP on the outside edge, velcro HOOK on the back edge.

Rear Side Wall Bottom Supports (x2)



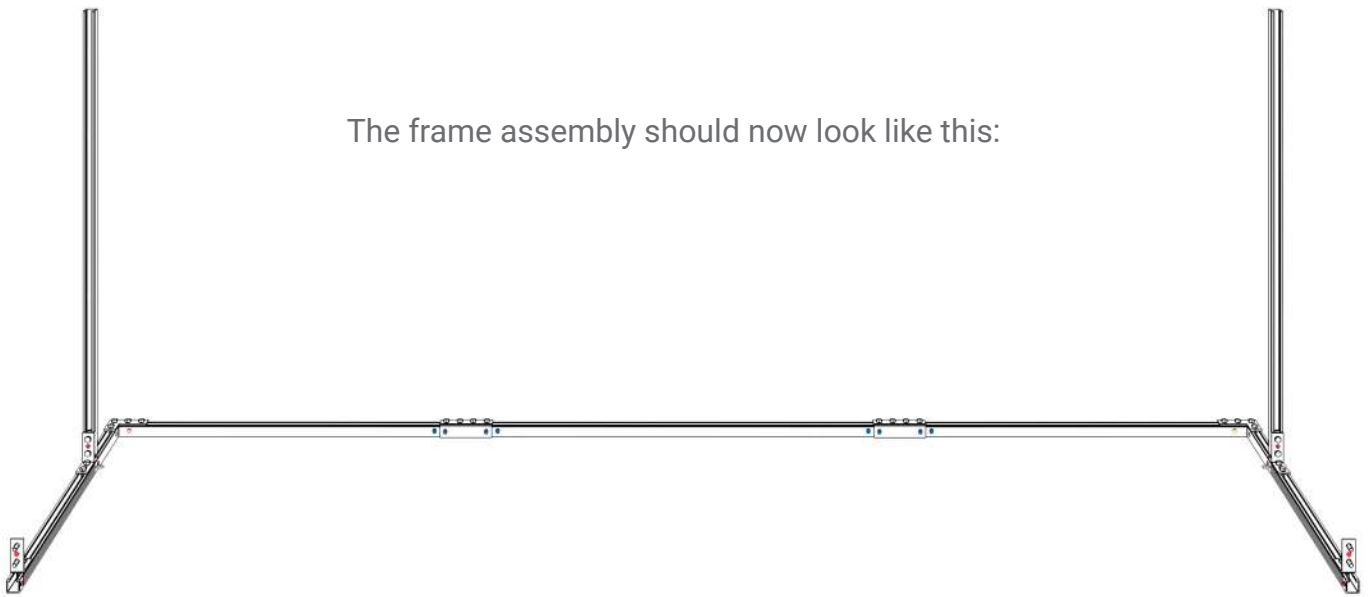
5B

Connect to the step 4 assembly at the corners marked with the PURPLE color code using the bolts and nuts pre-attached to the Left Base and Right Base.



STEP 1: FRAME ASSEMBLY

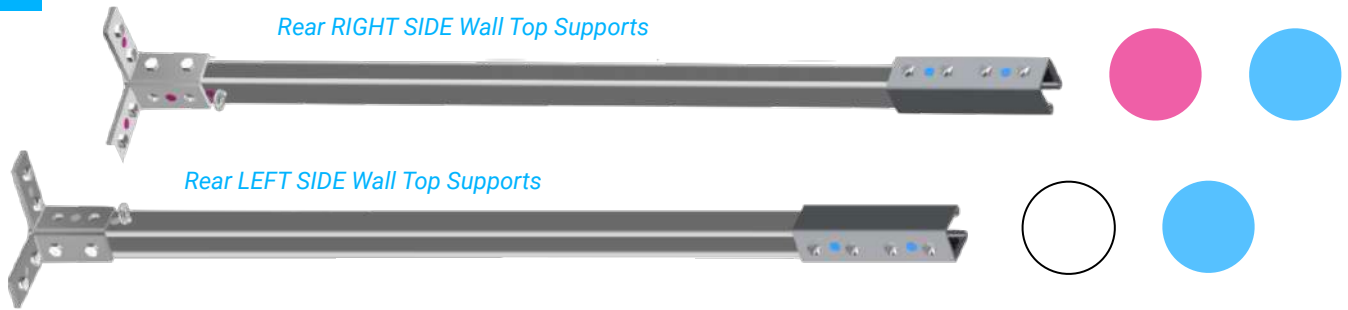
The frame assembly should now look like this:



STEP 1: FRAME ASSEMBLY

6A

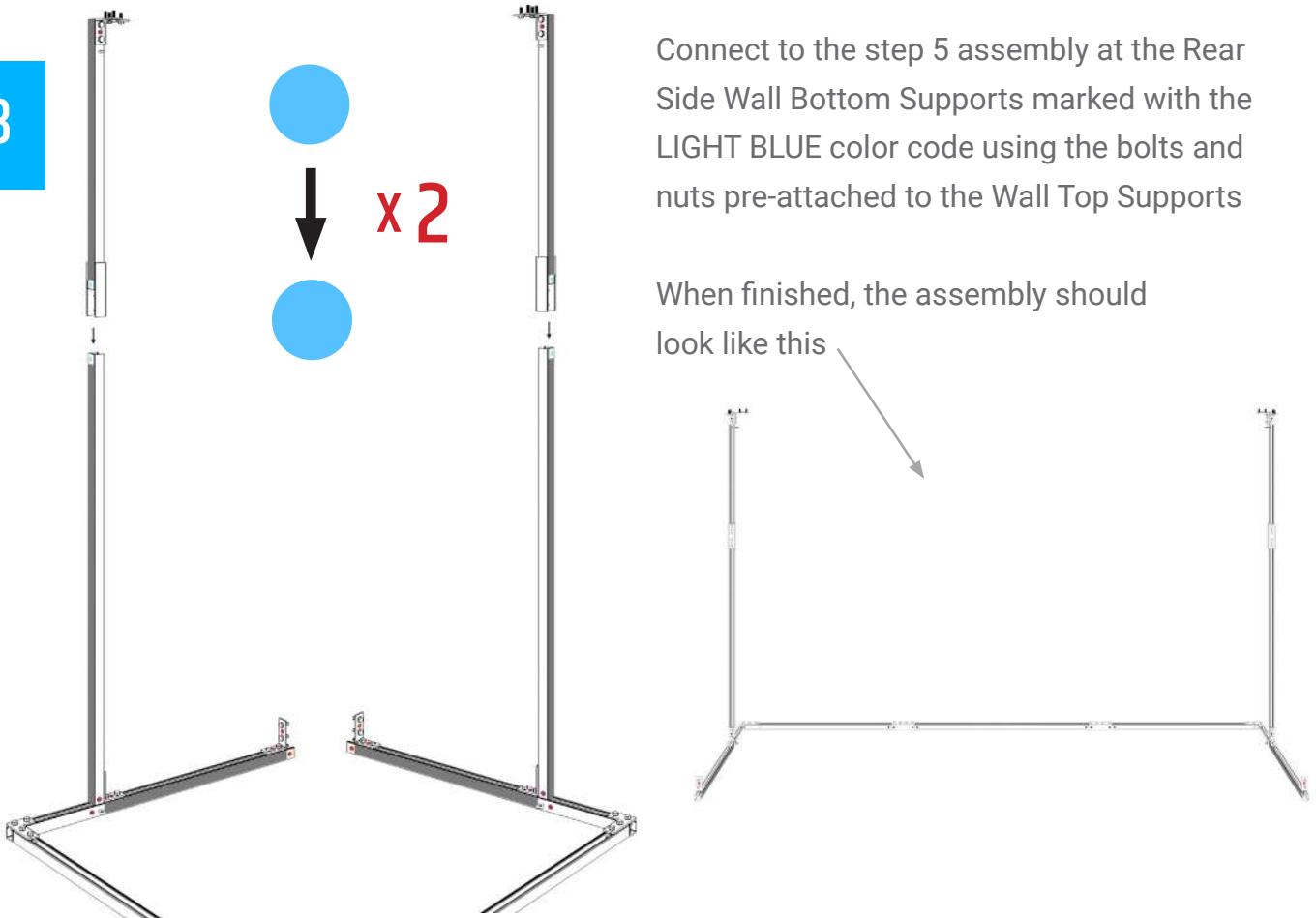
Locate the TWO (2) Rear Side Wall Top Supports (Grey Fiberglass).



6B

Connect to the step 5 assembly at the Rear Side Wall Bottom Supports marked with the LIGHT BLUE color code using the bolts and nuts pre-attached to the Wall Top Supports

When finished, the assembly should look like this



STEP 1: FRAME ASSEMBLY

7A

Locate the THREE (3) Rear Top Frame Support components (Black Steel with Velcro).

Rear Top Frame LEFT CORNER Support



Rear Top Frame MIDDLE Support

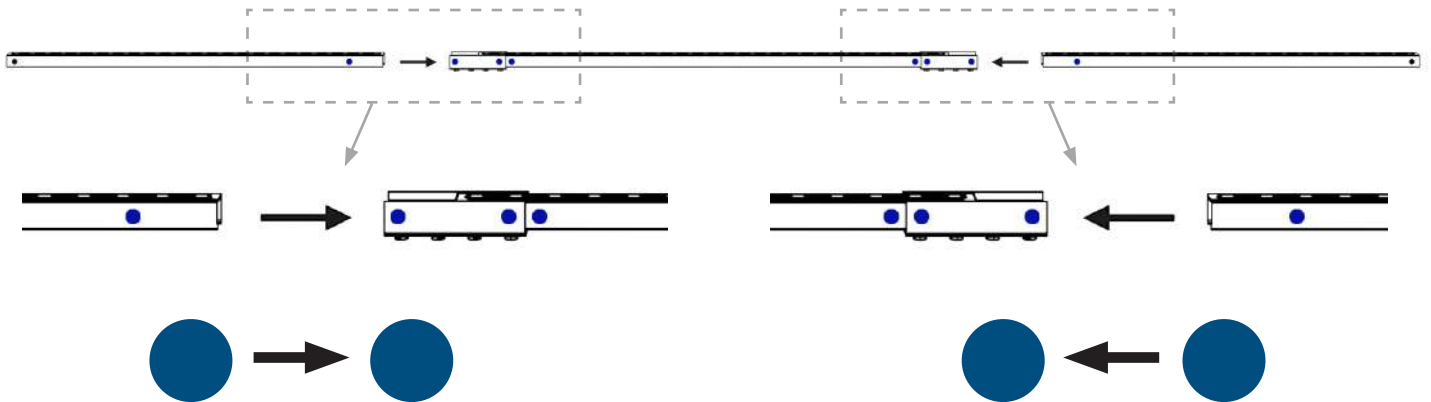


Rear Top Frame RIGHT CORNER Support



7B

Connect the Rear Top Frame Support components as illustrated using the pre-attached bolts and nuts.



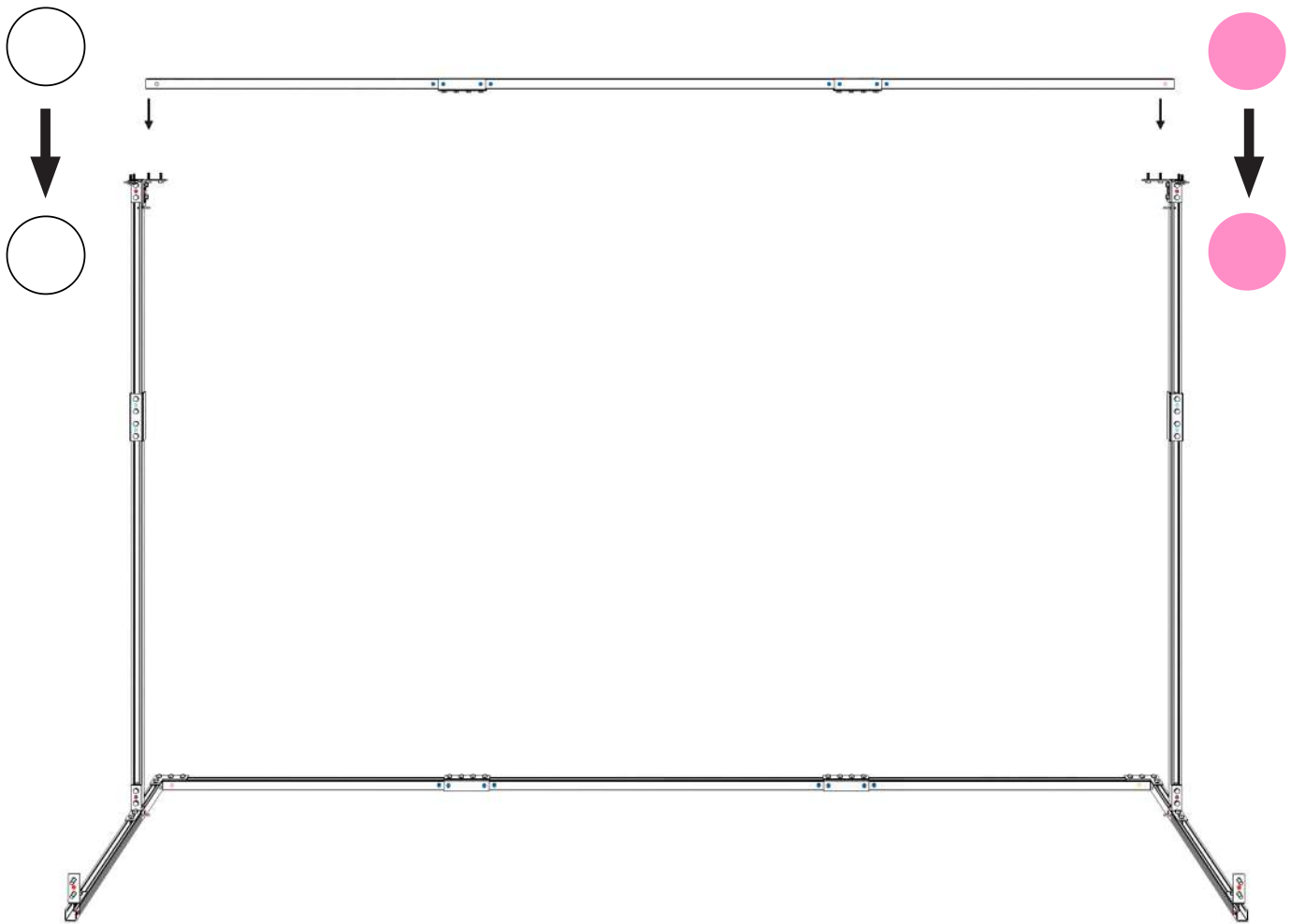
STEP 1: FRAME ASSEMBLY

REQUIRED FOR THIS STEP



8

Attach the assembled Rear Top Frame Support to the main assembly as illustrated using the pre-attached bolts and nuts.



STEP 1: FRAME ASSEMBLY

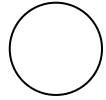
REQUIRED FOR THIS STEP



9A

Locate the TWO (2) Top Side Frame Supports (Grey Fiberglass).

LEFT Top Side Frame Support

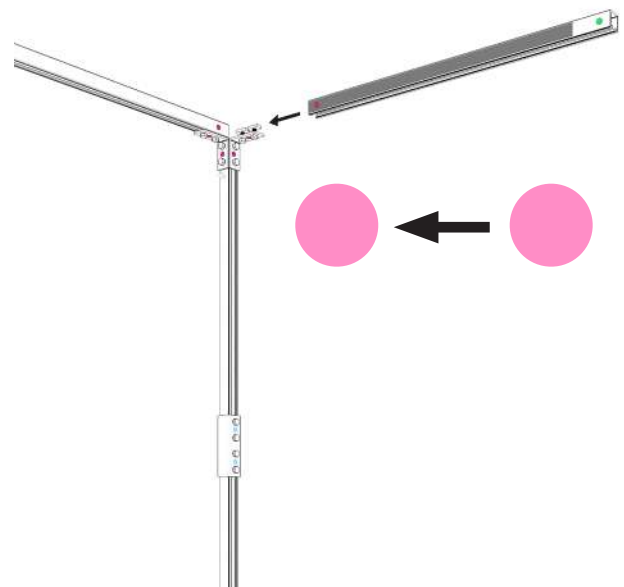
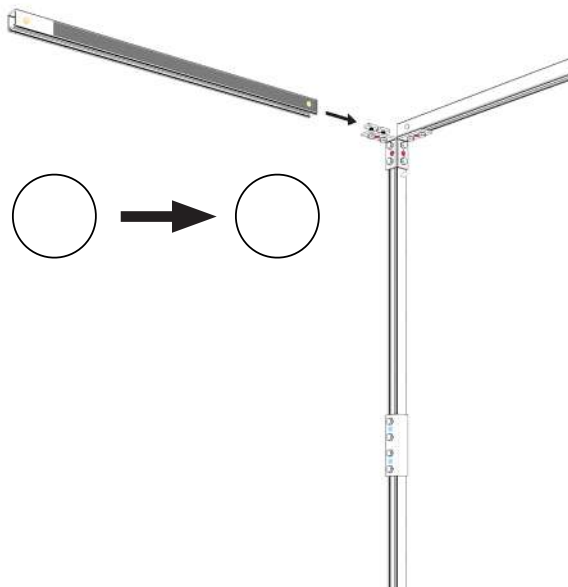


RIGHT Top Side Frame Support



9B

Connect the Top Side Frame Supports as illustrated using the pre-attached bolts and nuts.



STEP 1: FRAME ASSEMBLY

REQUIRED FOR THIS STEP



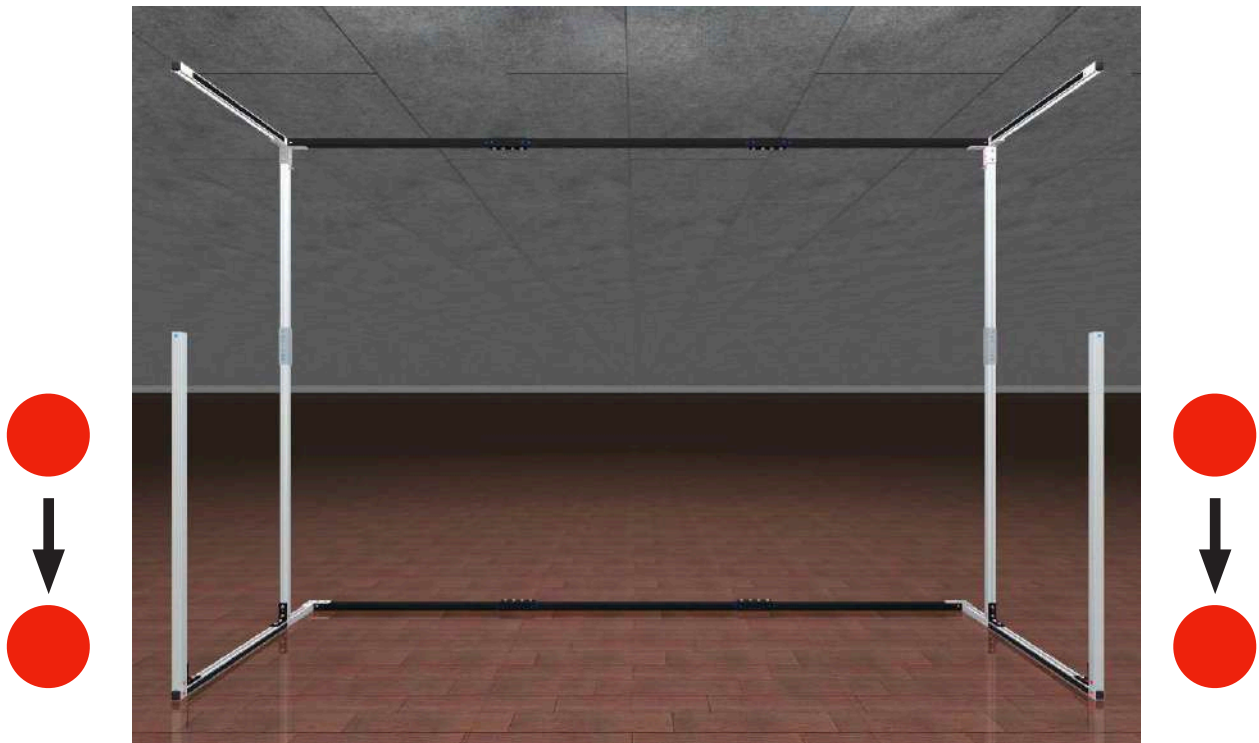
10A

Locate the TWO (2) Side Wall Bottom Supports (Grey Fiberglass).
Note: Velcro HOOK on the outside edge.



10B

Connect ONE (1) Side Wall Bottom Support to the Left Base and ONE (1) Side Wall Bottom Support to the Right Base as illustrated using the pre-attached bolts and nuts.

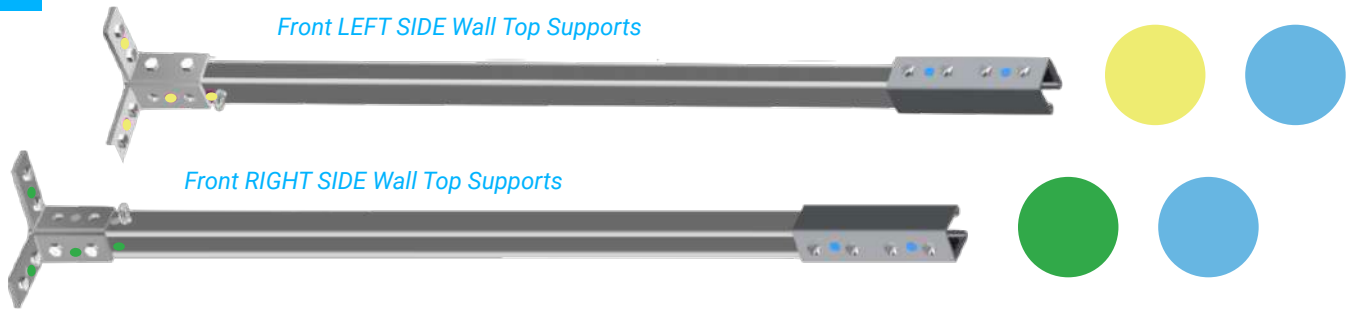




STEP 1: FRAME ASSEMBLY

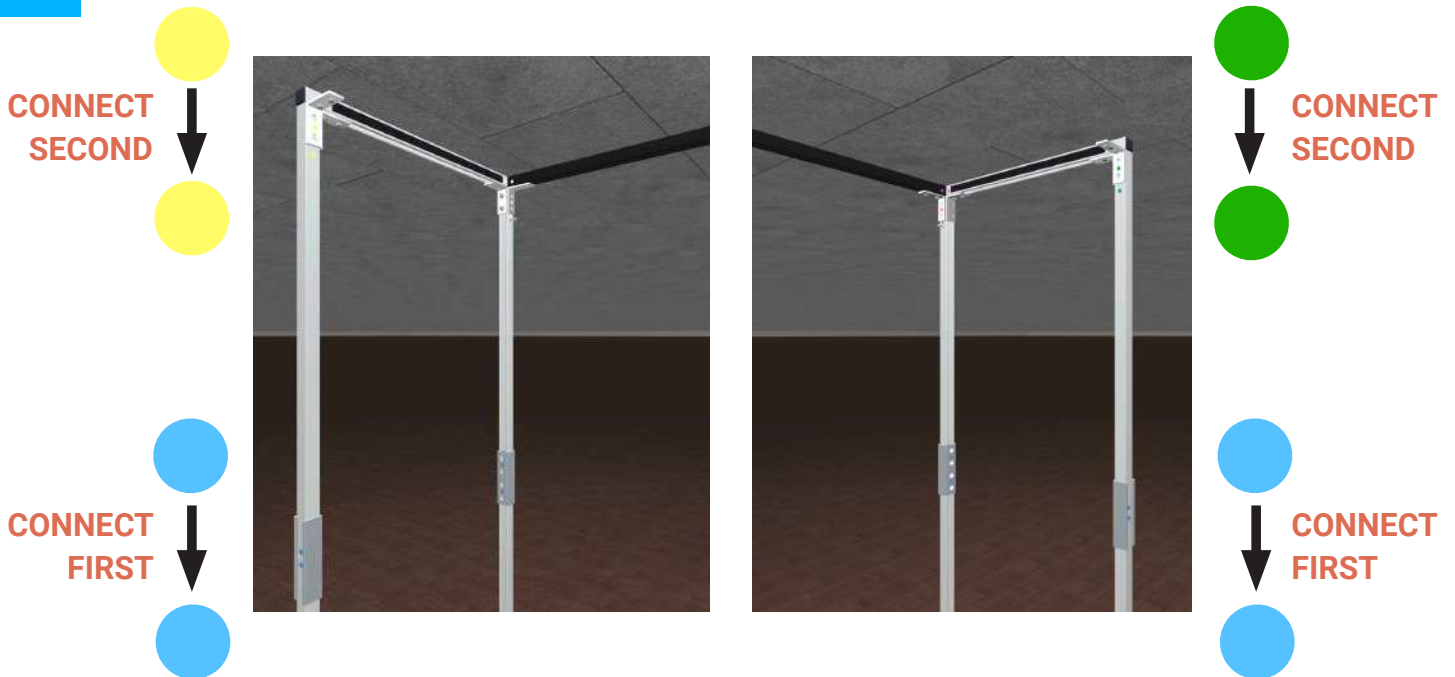
11A

Locate the TWO (2) Side Wall Top Supports (Grey Fiberglass).



11B

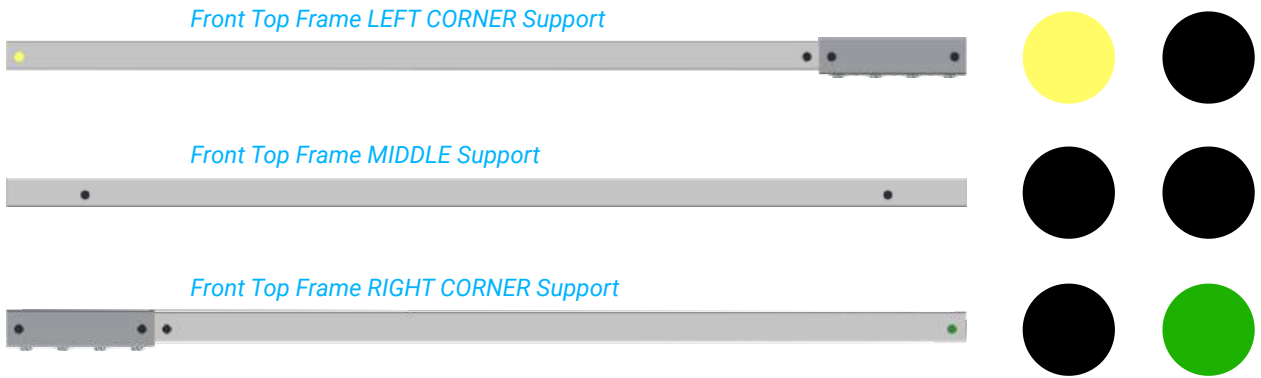
Connect the Top Side Wall Supports as illustrated in the noted order using the pre-attached bolts and nuts.



STEP 1: FRAME ASSEMBLY

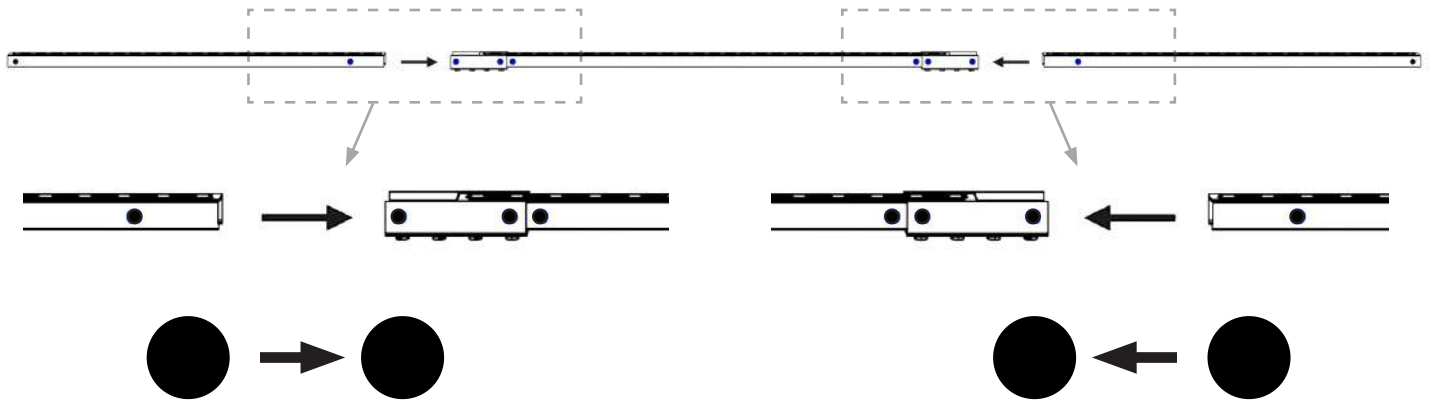
12A

Locate the THREE (3) Front Top Frame Support components (Black Steel with Velcro).



12B

Connect the Front Top Frame Support components as illustrated using the pre-attached bolts and nuts.

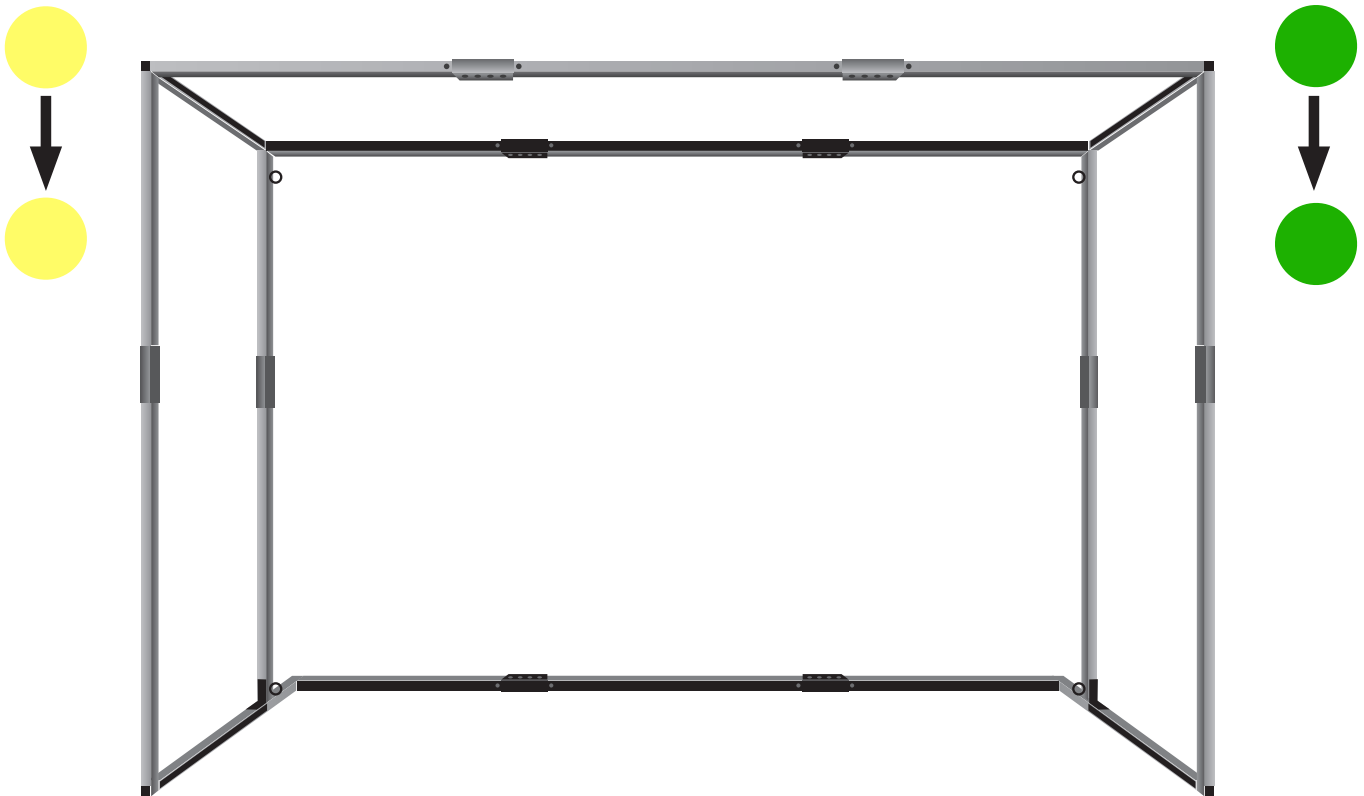




STEP 1: FRAME ASSEMBLY

13

Attach the assembled Front Top Frame Support to the main assembly as illustrated using the pre-attached bolts and nuts.



DOUBLE-CHECK!

With the frame now assembled, please re-check that all assembly bolts are tight and the frame is stable and rigid.

STEP 2: TURF & SCREEN

1

Locate the Interior Turf Roll and place it inside the assembled frame.

NOTE: Make sure the assembled frame and interior turf are in their final playing position.

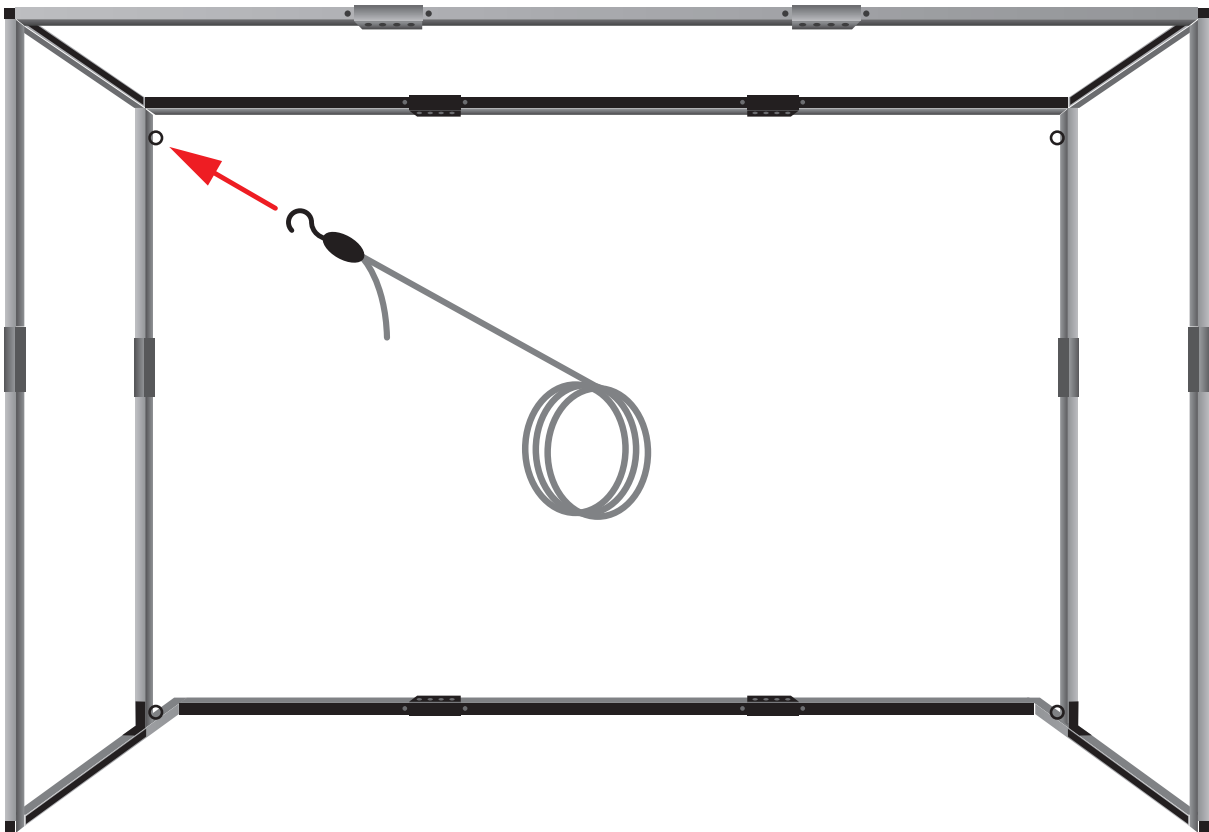


STEP 2: TURF & SCREEN

REQUIRED FOR THIS STEP



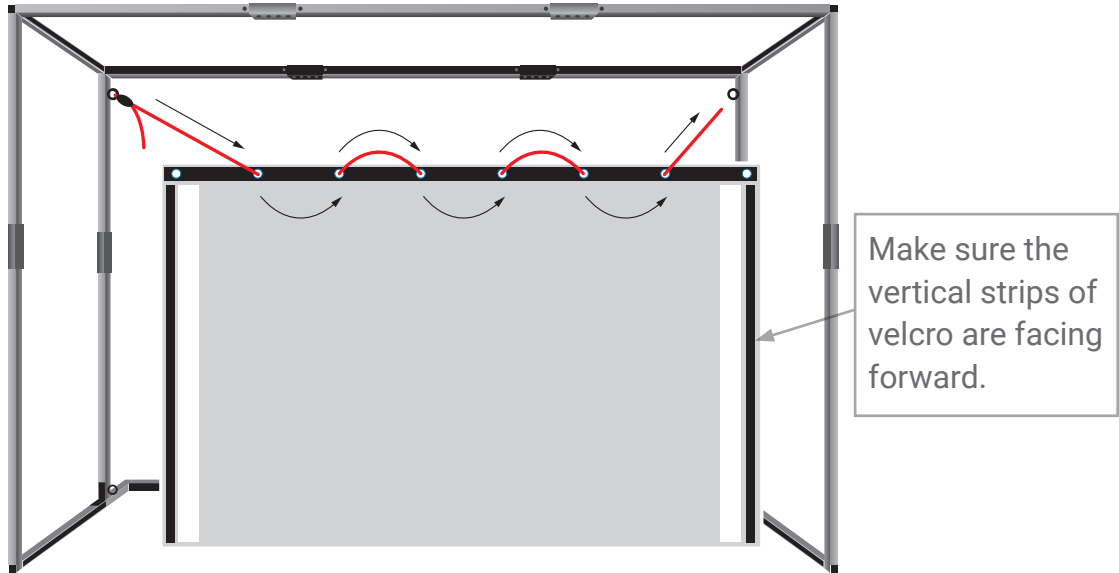
- 2 Locate the Mesh Screen Backing and the Top Attachment Cord.
Attach the Top Attachment Cord to the frame by placing the hook into the steel eye hook located on the inside top of the rear LEFT support as shown.



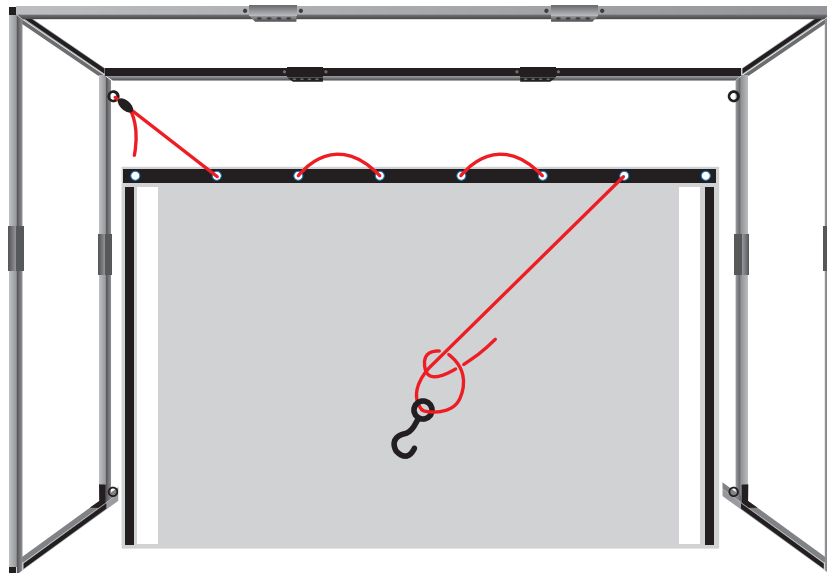


STEP 2: TURF & SCREEN

- 3A** Unfold the Mesh Screen Backing and thread the Top Attachment Cord through the top row of grommet holes **STARTING WITH THE SECOND HOLE** as shown. Thread the Top Attachment Cord through all grommet holes **BUT NOT** the final grommet hole.



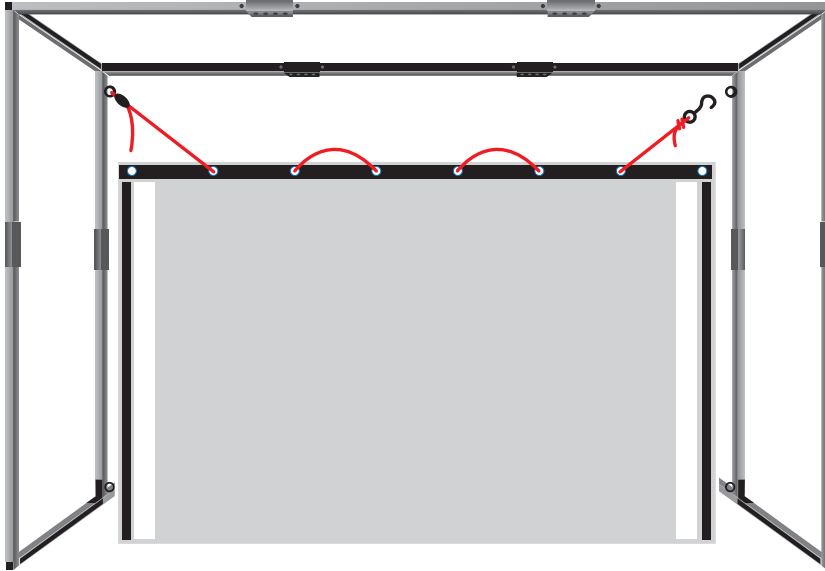
- 3B** With the Top Attachment Cord threaded, locate the separate attachment hook and tie it onto the end. Make sure the knot is properly tight and secure.



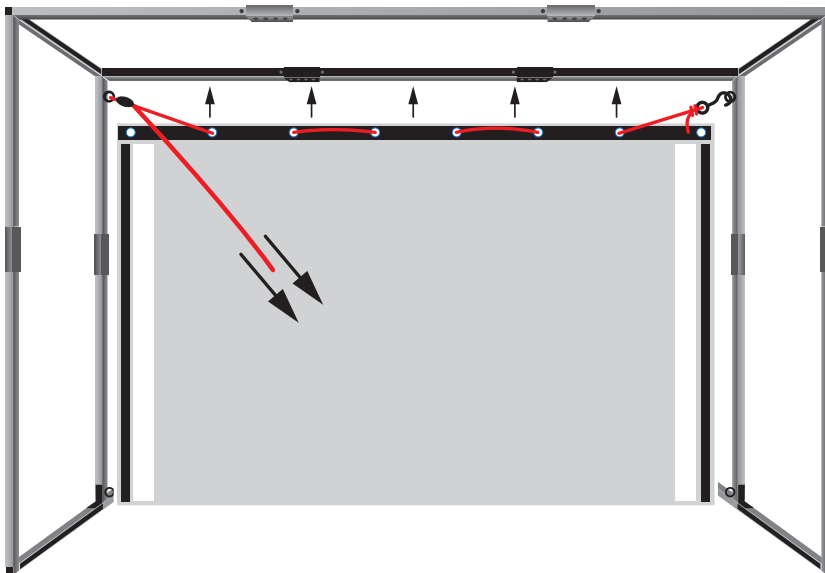


STEP 2: TURF & SCREEN

- 4A** Attach the Top Attachment Cord to the frame by placing the hook into the steel eye hook located on the inside top of the rear RIGHT support as shown.



- 4B** Tighten the Top Attachment Cord by pulling on the loose end located on the left side. The included pulley system will prevent the cord from loosening once pulled.

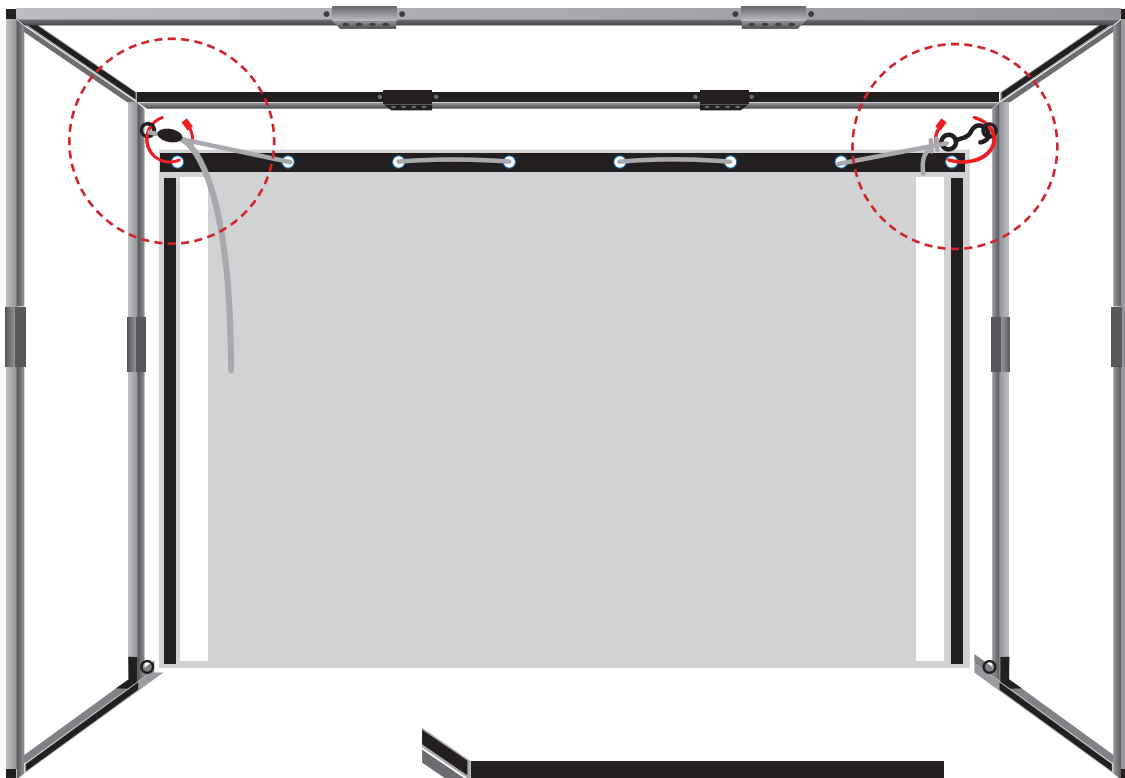




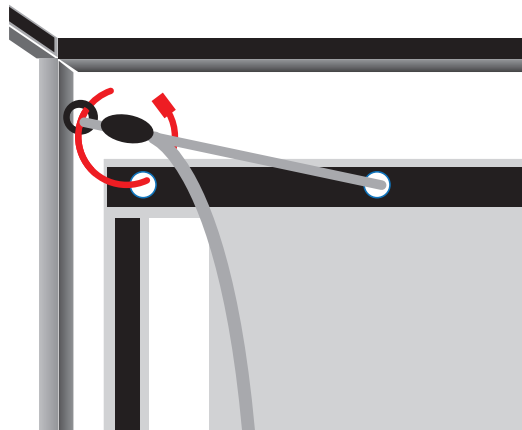
STEP 2: TURF & SCREEN

5A

With the Top Attachment Cord pulled tight and the Mesh Screen Backing spread out evenly, locate the two (2) provided Zip Ties and secure the OUTER grommet holes of the Mesh Screen Backing to the steel eye hooks holding the Top Attachment Cord on each side of the frame.

**5B**

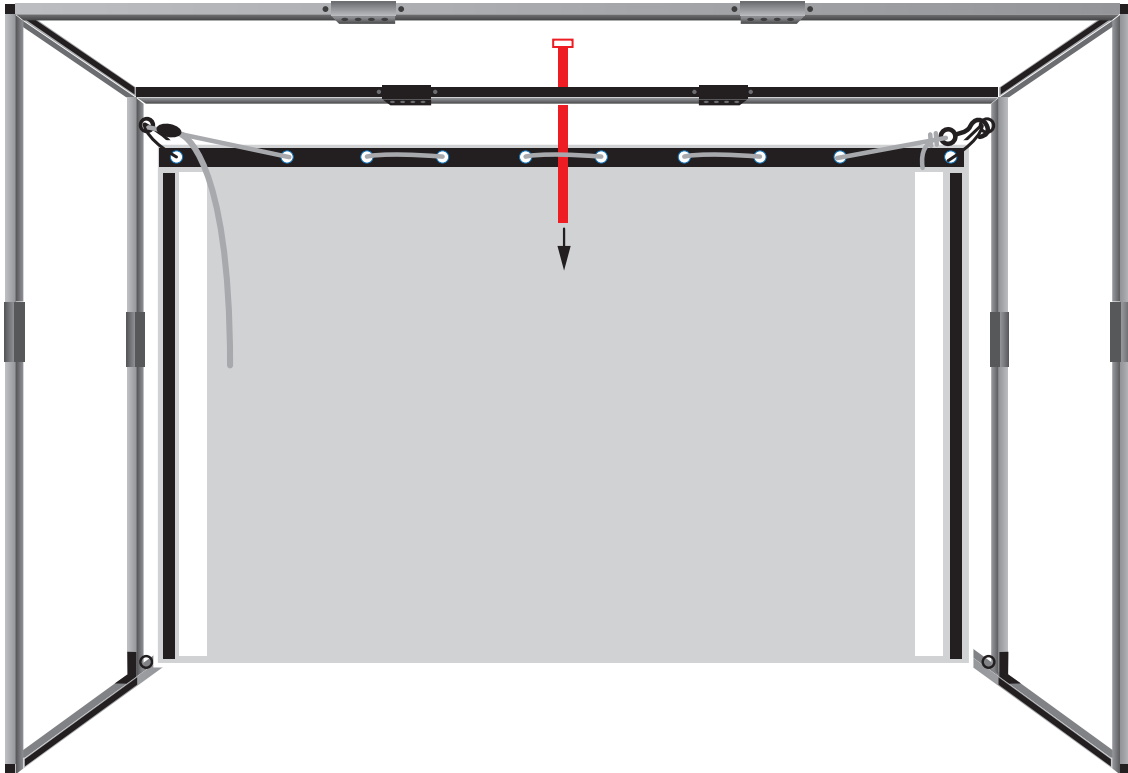
Once attached, make sure the two Zip Ties are secured tightly.



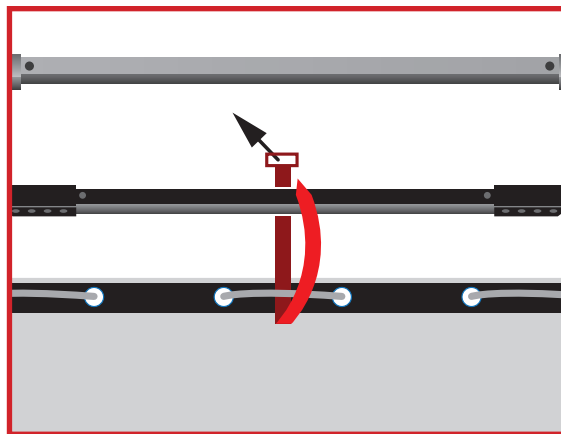


STEP 2: TURF & SCREEN

- 6A** Locate the long Zip Tie provided and place it around both the center of the Rear Top Frame Support and the Top Attachment Cord as illustrated below.



- 6B** Use Zip Tie to raise the Mesh Screen Backing until it is LEVEL with both sides, and then secure as shown.

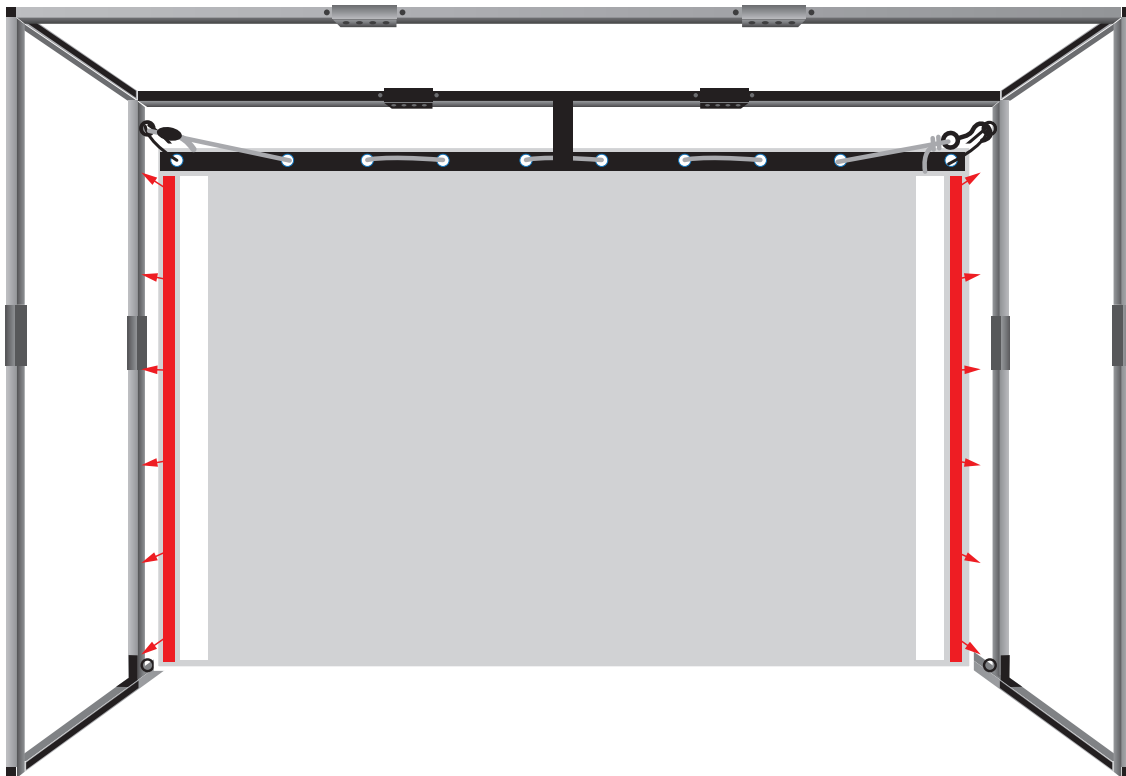


STEP 2: TURF & SCREEN

REQUIRED FOR THIS STEP



- 7 Secure the Mesh Screen Backing to the Frame Assembly by attaching the vertical velcro edges on each side of the Mesh Screen Backing to the vertical velcro edges on the back of the both rear frame support columns.

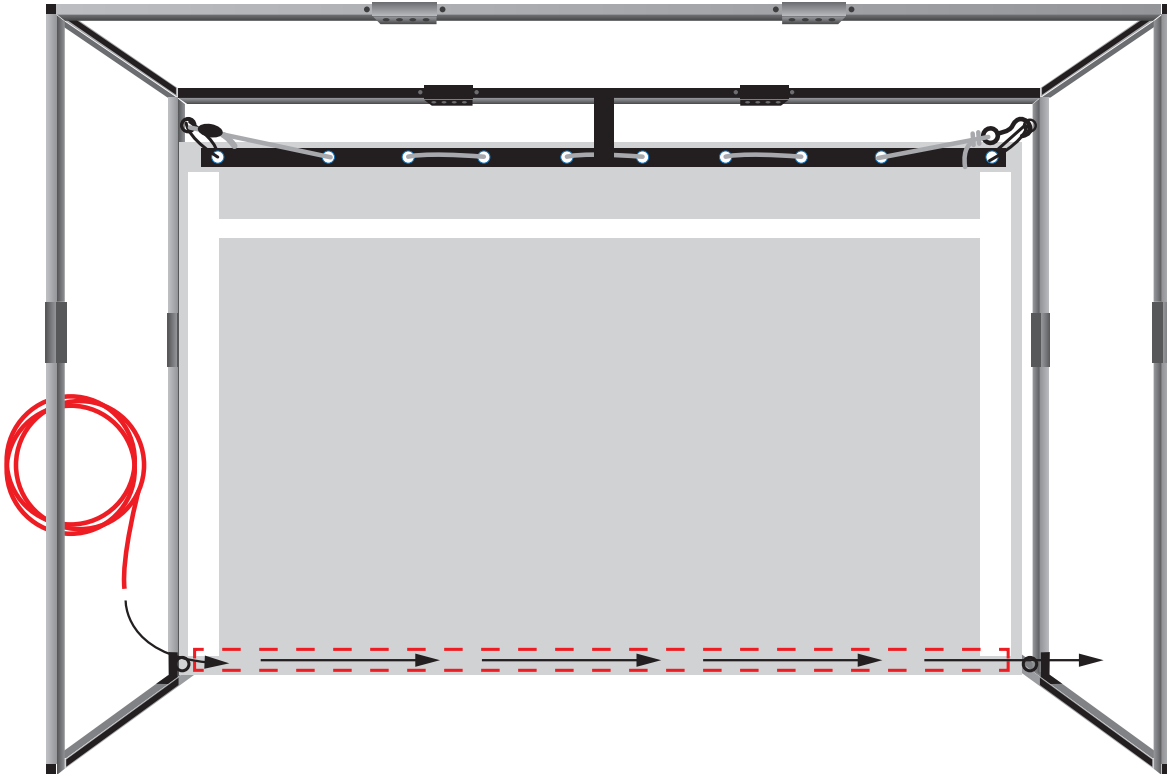




STEP 2: TURF & SCREEN

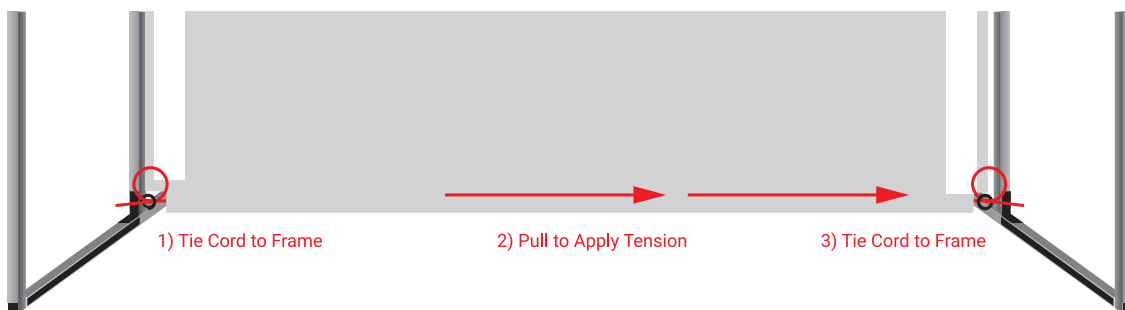
8A

Using the provided wire feeder, feed the Bottom Attachment Cord through the bottom edge sleeve of the Mesh Screen Backing as illustrated.



8B

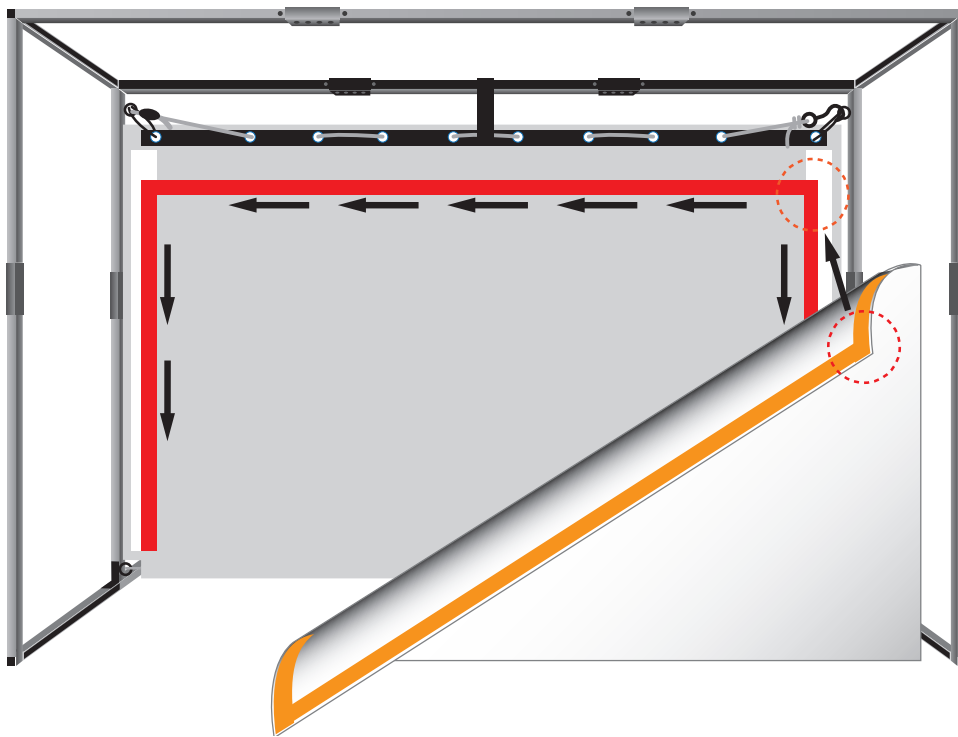
Tie the Bottom Attachment Cord securely to the lower LEFT steel eye hook, then pull the cord on the RIGHT until there is a small amount of tension on the cord before securing to the lower RIGHT steel eye hook.





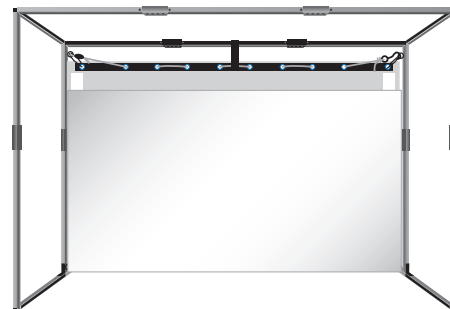
STEP 2: TURF & SCREEN

- 9 It is now time to attach the Hitting Screen to the Mesh Screen Backing. To begin, first unfold the Hitting Screen and align the upper right hand corner to the velcro strips on the upper right hand corner of the Mesh Screen Backing and press firmly. Continue by attaching the velcro outward along the horizontal and vertical strips, being careful to maintain a straight alignment without wrinkles.



Note: When disassembling, use care as not to tear the back screen.

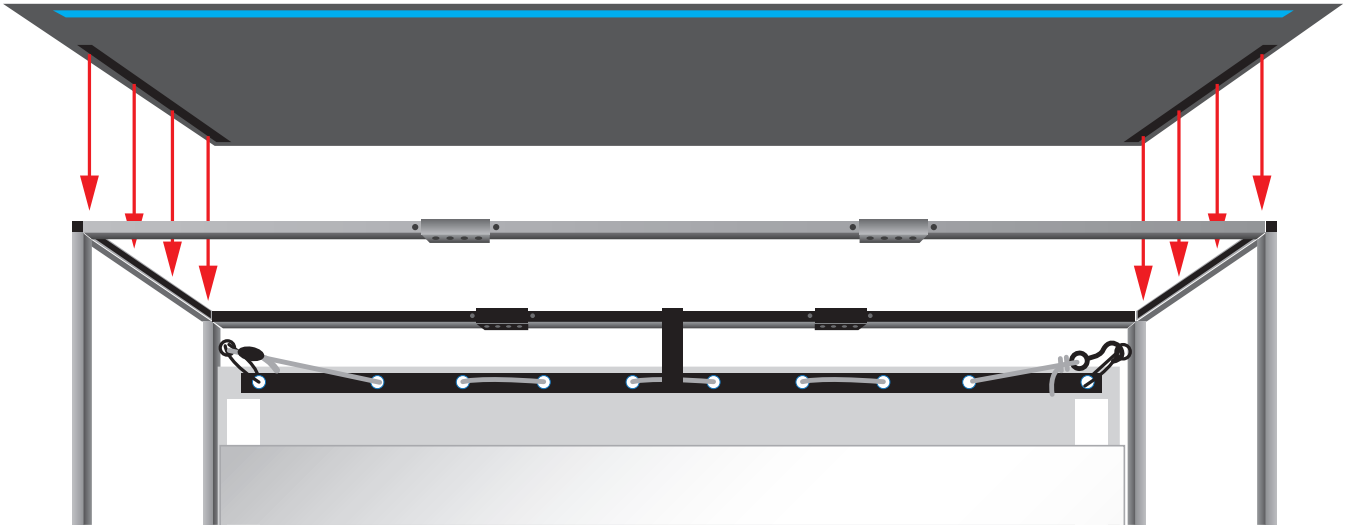
When finished, the hitting screen should be level and flat, without noticeable wrinkles. Should any wrinkles be present, adjust the velcro attachment around the problem area.



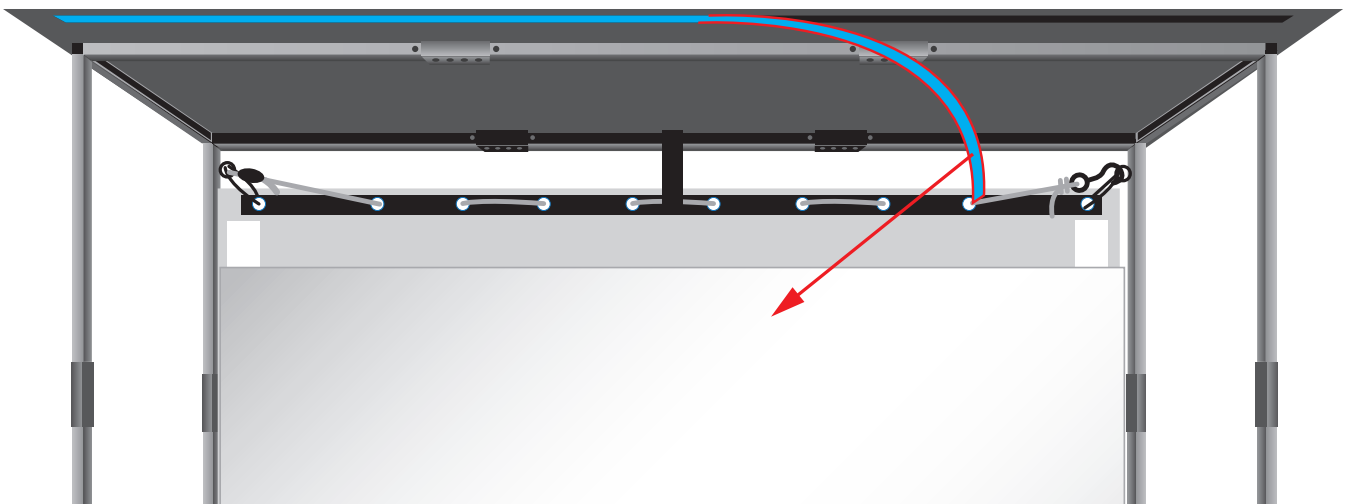


STEP 3: EXTERIOR PANELS

- 1A** Locate the (1) Outer Lid Panel and attach to the outside top of the Frame Assembly using the velcro strips on each end. Align flush with the SIDES and BACK of the Frame Assembly.



- 1B** Once the Lid Panel is properly aligned and secure, remove the protective strip covering the velcro running along the (under side) front edge.

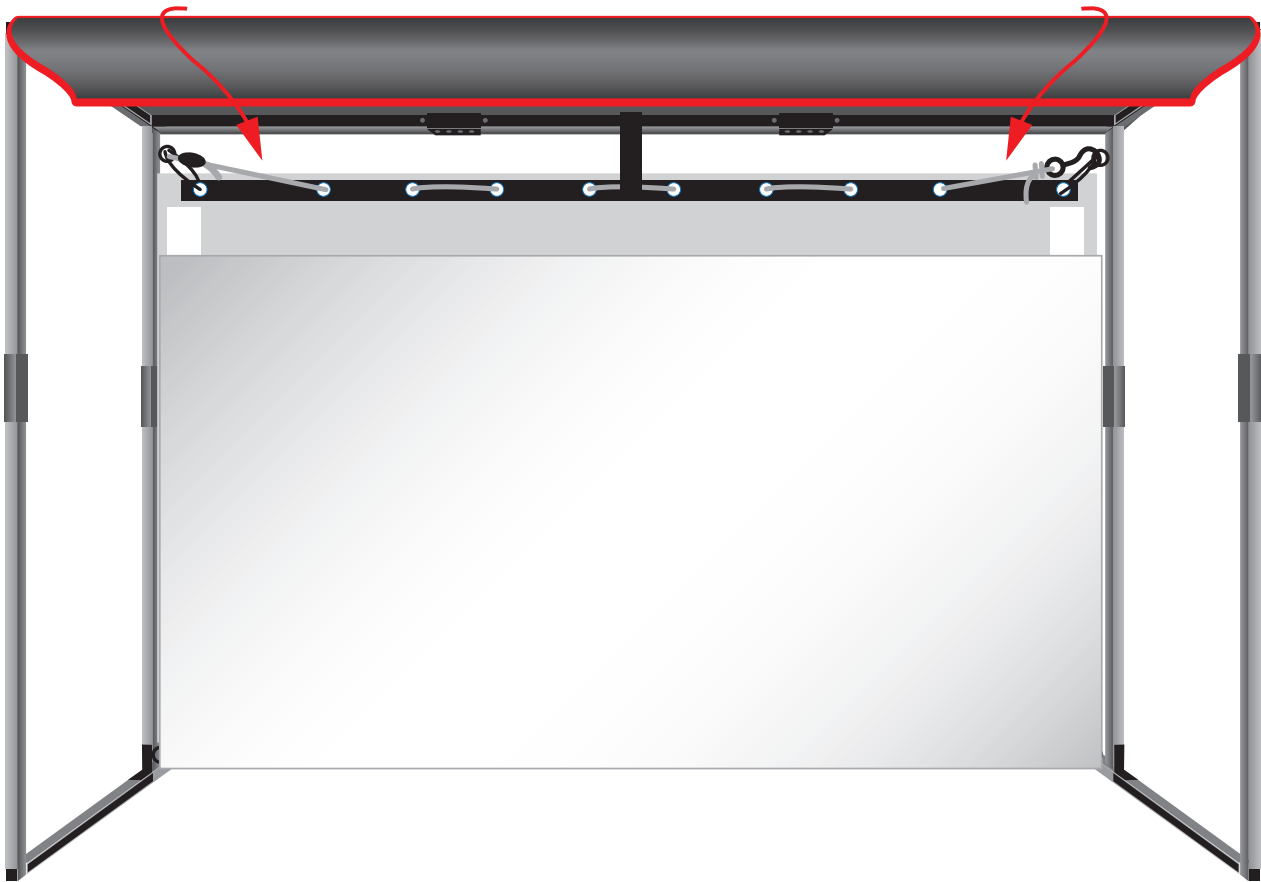


STEP 3: EXTERIOR PANELS

REQUIRED FOR THIS STEP



- 1C** Pull the front edge of the Outer Lid Panel over and around the front bar of the Frame Assembly with even pressure and secure it to the underside surface using the velcro strip.

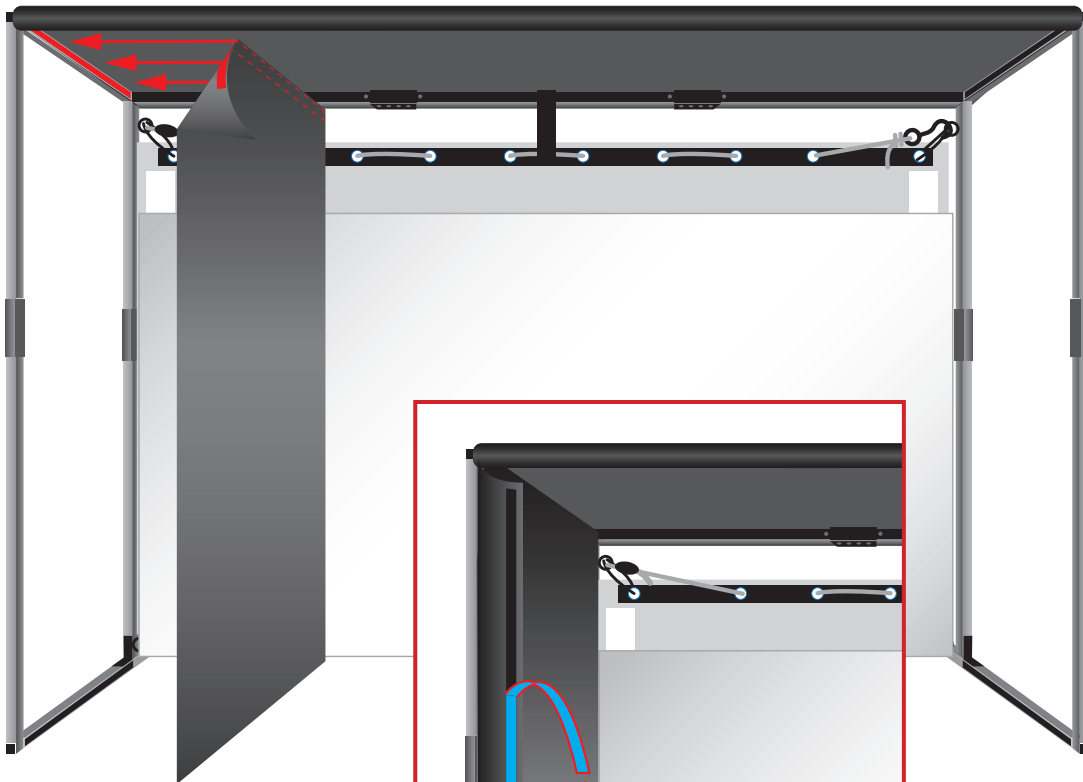




STEP 3: EXTERIOR PANELS

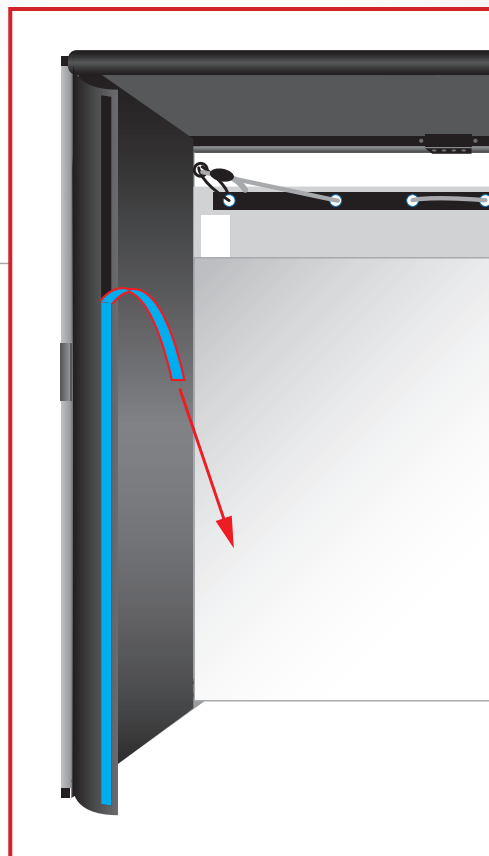
2A

Locate the (2) Inner Side Panels. Attach the LEFT Inner Side Panel to the inside top left of the Frame Assembly using the velcro strip. Align the lid panel flush with the BACK edge of the Frame Assembly. Approximately six (6) inches of the Left Side Panel should stick out beyond the front of the frame.



2B

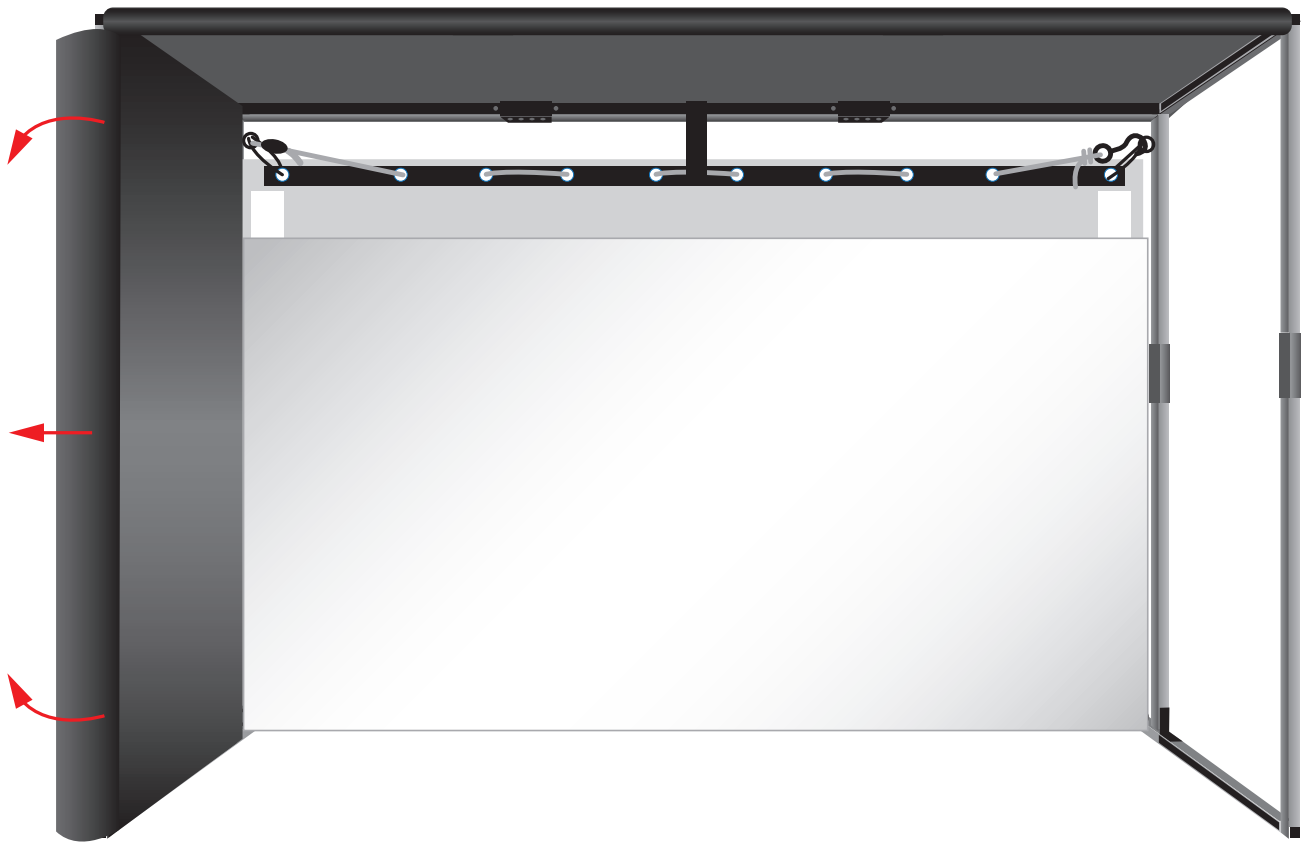
Once the Side Panel is properly aligned and secure, remove the protective strip covering the velcro running along the (outside) front edge.





STEP 3: EXTERIOR PANELS

- 2C** Pull the front edge of the Inner Side Panel over and around the side bar of the Frame Assembly with even pressure and secure it to the outside surface using the velcro strip.

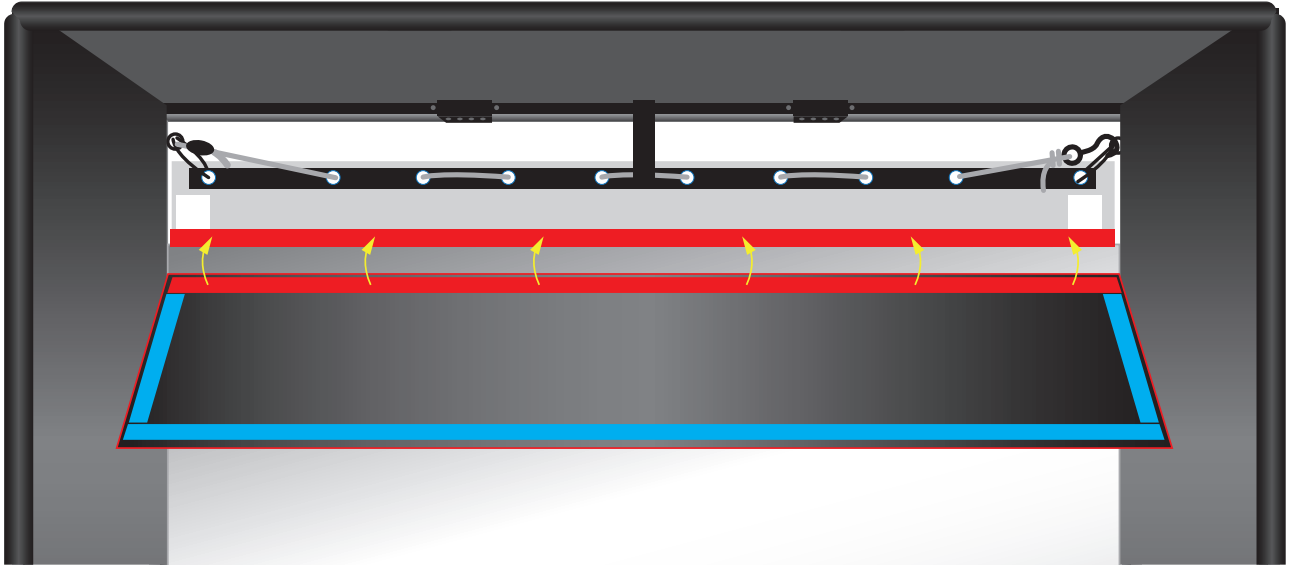


- 2D** REPEAT Steps 2A - 2C with the RIGHT Inner Side Panel.

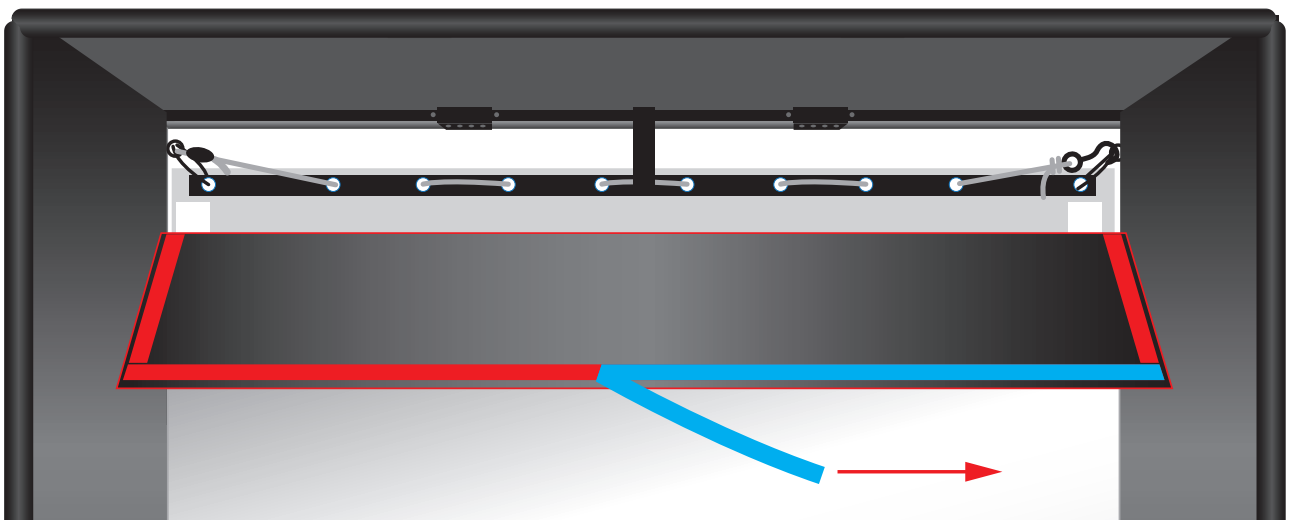


STEP 3: EXTERIOR PANELS

- 3A** Locate the (1) Above Screen Panel and attach to the top edge of the Hitting Screen using the velcro strip, aligning flush with the top edge of the hitting screen as illustrated below.



- 3B** Once the Above Screen Panel is properly aligned and secured to the top edge of the Hitting Screen, remove the protective strips covering the velcro running along the front and side edges.



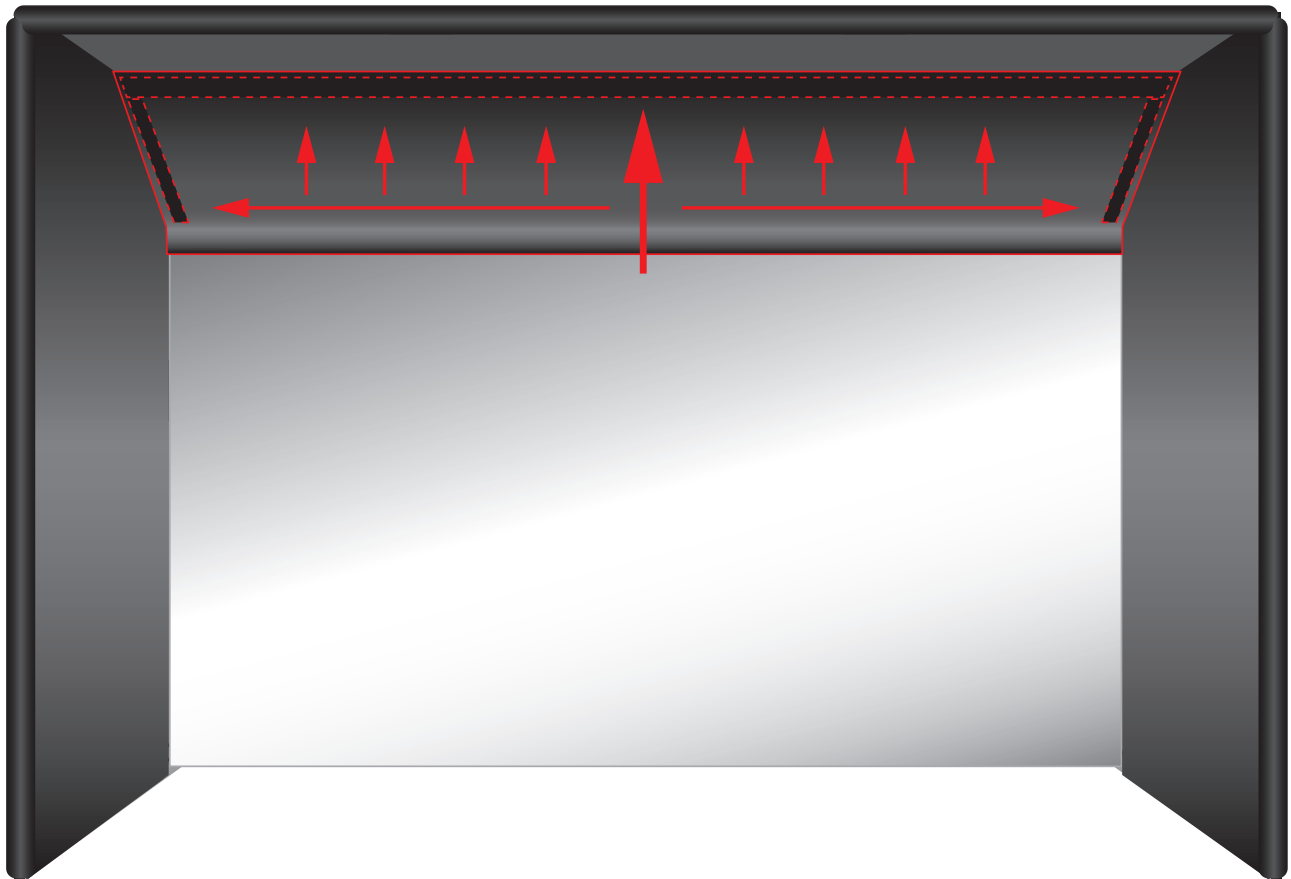
REQUIRED FOR THIS STEP



STEP 3: EXTERIOR PANELS

3C

Starting in the center, attach the Above Screen Panel to the Lid Panel using the velcro strip, being careful to keep the edge straight and smooth as you move to each corner. Secure the side strips of velcro to the Inner Side panels to insure a tight, smooth fit.

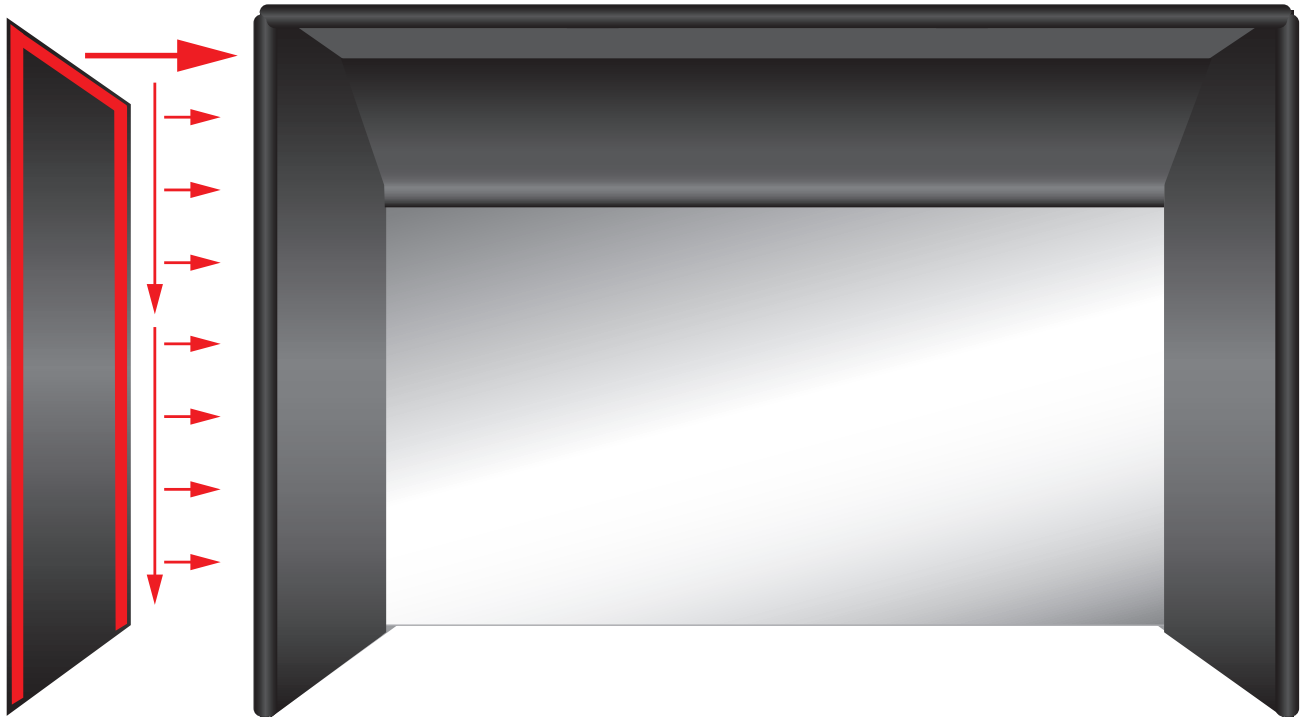




STEP 3: EXTERIOR PANELS

4A

Locate the (2) Outer Side Panels. Starting at the top, attach the LEFT Outer Side Panel to the outside top left of the Frame Assembly using the velcro strip. Align the panel flush with all edges before attaching the panel down the front and back edges, being careful to keep the edges straight and smooth as you move downward.



4B

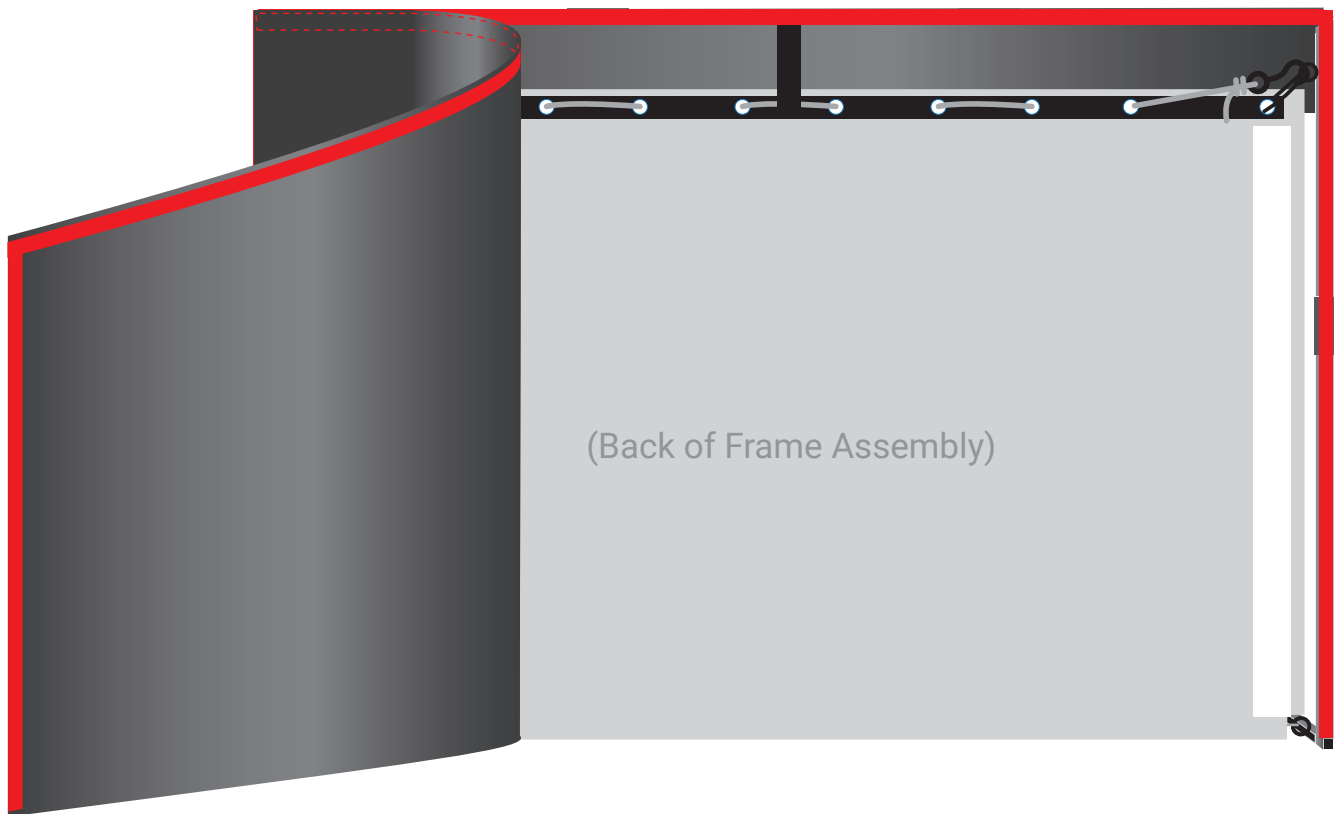
REPEAT Step 4A with the RIGHT Outer Side Panel.



STEP 3: EXTERIOR PANELS

5

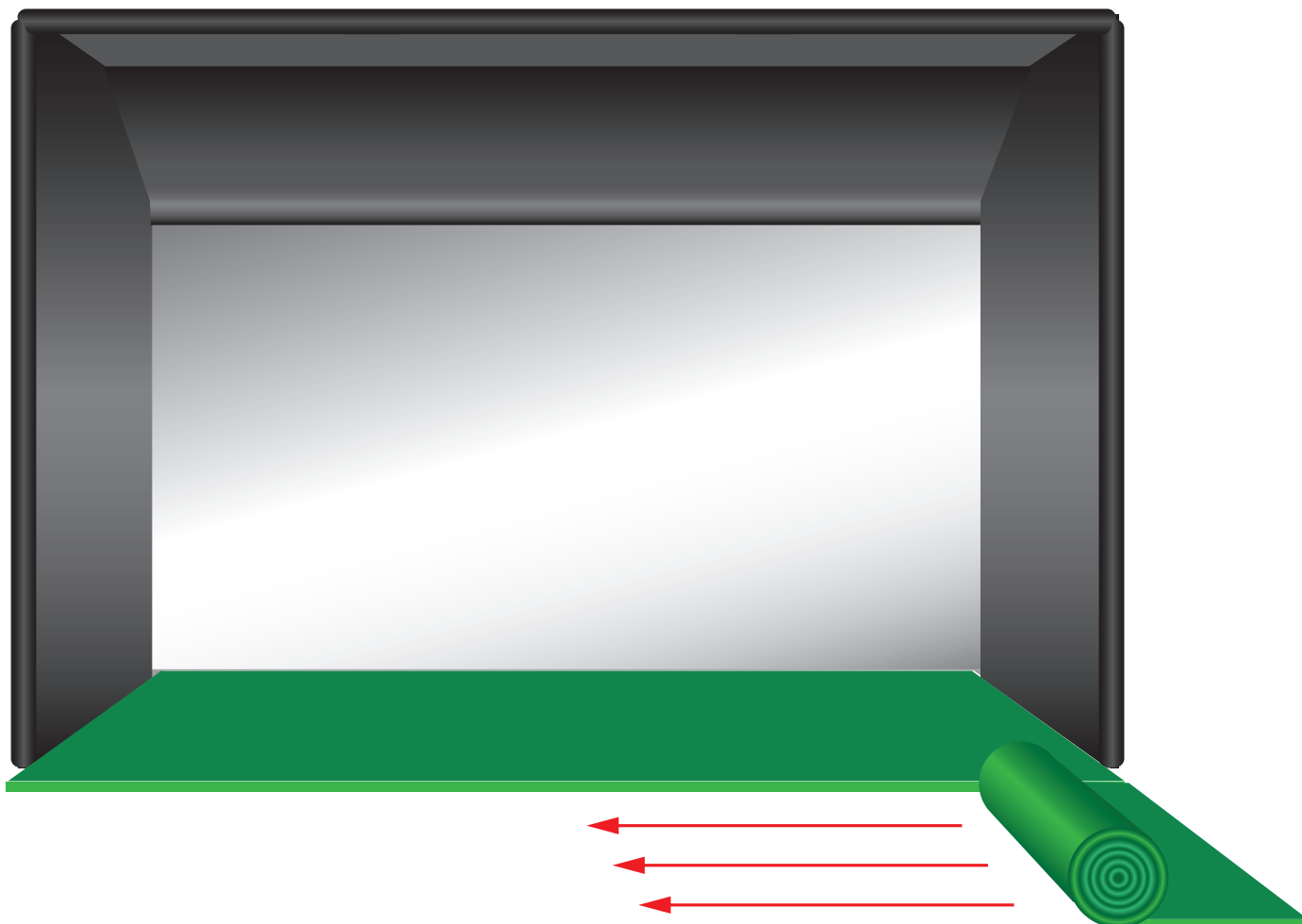
Locate the (1) Blackout Panel and move it to the back side of the frame assembly. Starting at one end, attach the Blackout Panel to the outside top corner of the Frame Assembly using the velcro strip. Align the panel flush with the top edge before attaching the panel down each side edge, being careful to keep the edges straight and smooth as you move downward.



Congratulations!
The Frame Assembly is now complete!

STEP 4: COMPONENT SETUP

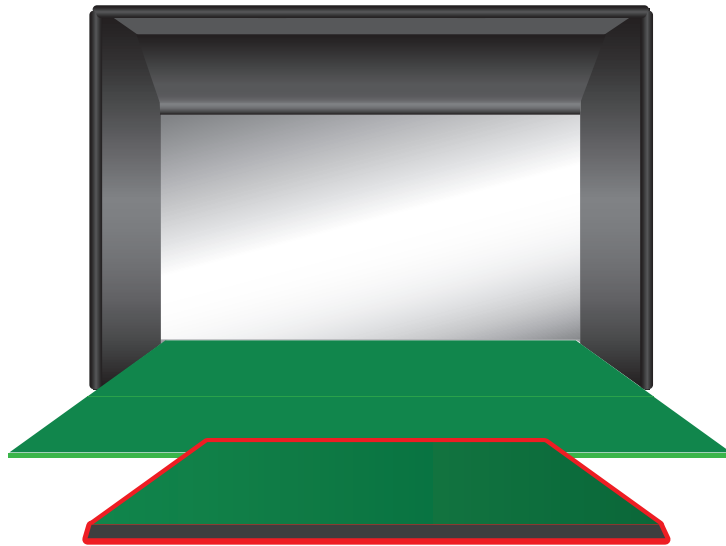
- 1 Locate the second (outer) Turf Roll and unroll & position it in front of the first (inner) Turf Roll.



STEP 4: COMPONENT SETUP

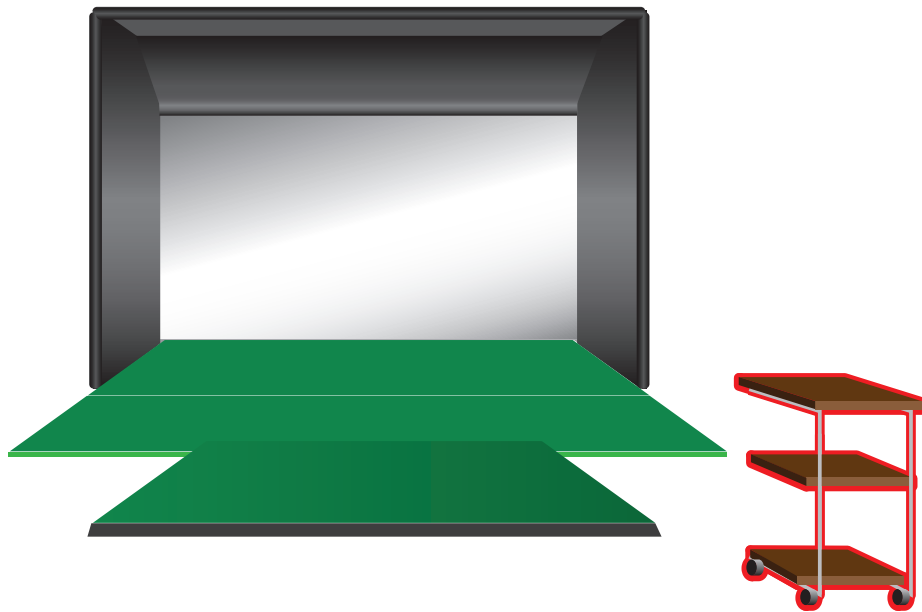
2

Follow the separately included instructions for the assembly of the Hitting Mat.



3

Follow the separately included instructions for the assembly of the Rolling Computer Cart.

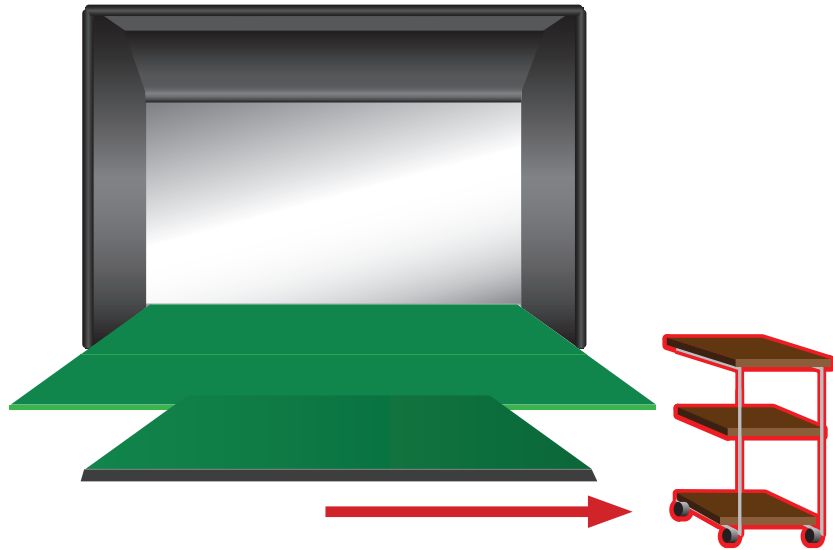


STEP 4: COMPONENT SETUP

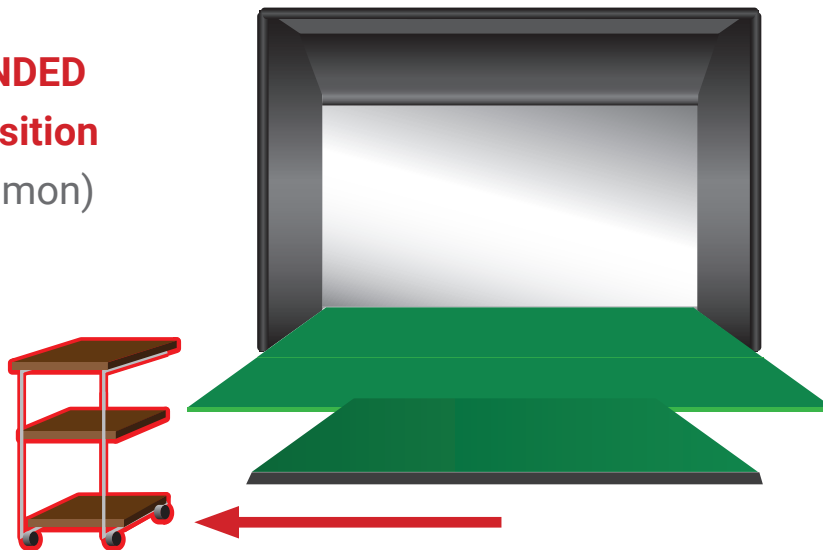
3B

Place the Rolling Computer Cart in the correct position based on player handedness.

**RIGHT-HANDED
Player Position**
(most common)



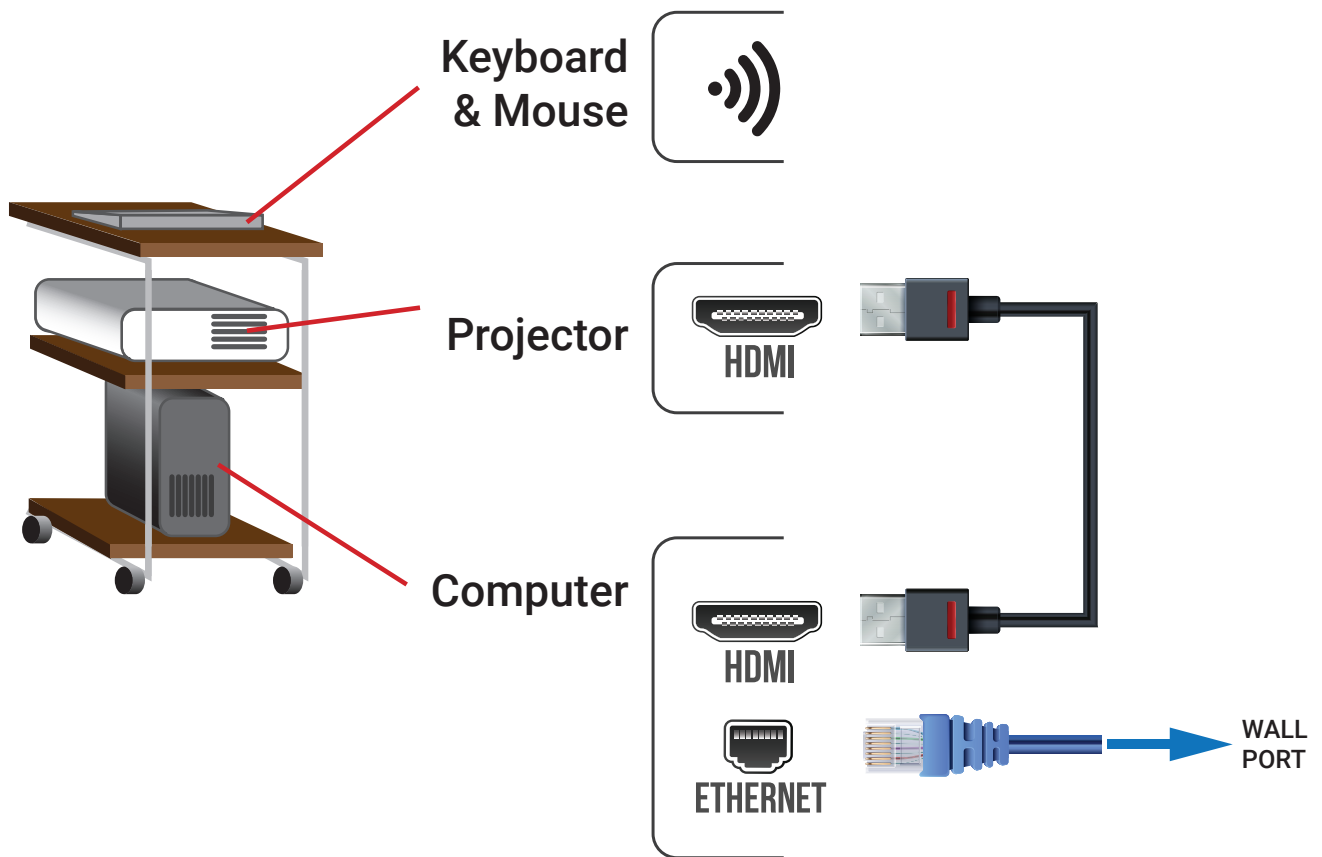
**LEFT-HANDED
Player Position**
(less common)



STEP 4: COMPONENT SETUP

4 Place the computer, Mouse/Keyboard, and Projector on the Rolling Computer Cart as shown. Then connect the following:

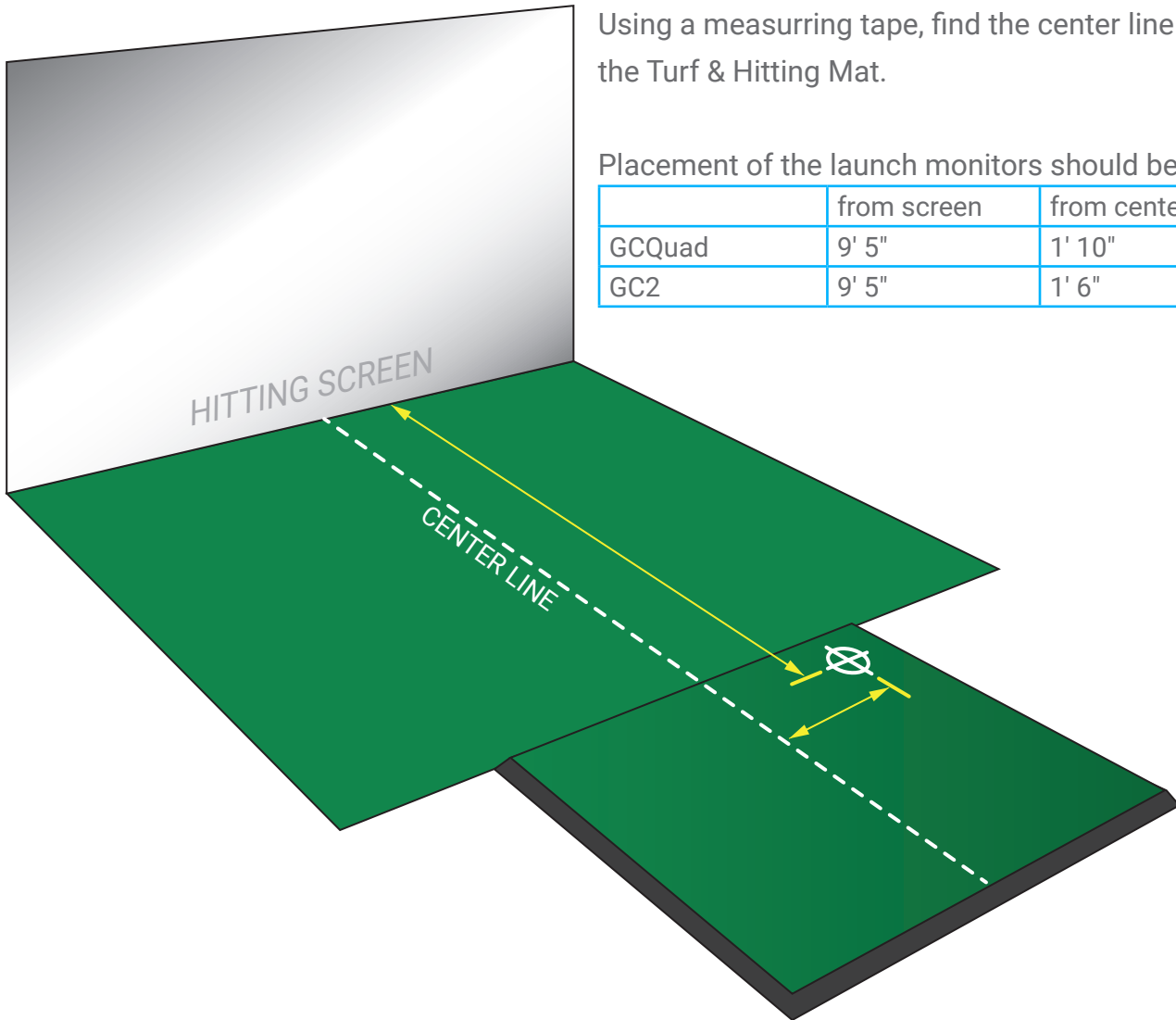
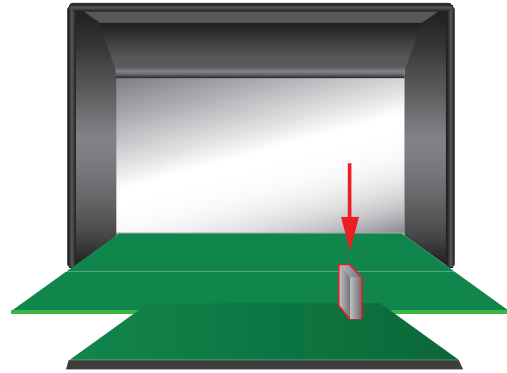
- Connect the projector to the Computer using the provided HDMI cable.
- Connect the Wireless Mouse/Keyboard to the Computer via BlueTooth.
- Connect the Computer to the internet via Ethernet, or connect via WiFi if available.
- Connect power cords to Computer and Projector and connect to power supply.



STEP 4: COMPONENT SETUP

5

Place the Launch Monitor on the Hitting Mat.



Using a measuring tape, find the center line of the Turf & Hitting Mat.

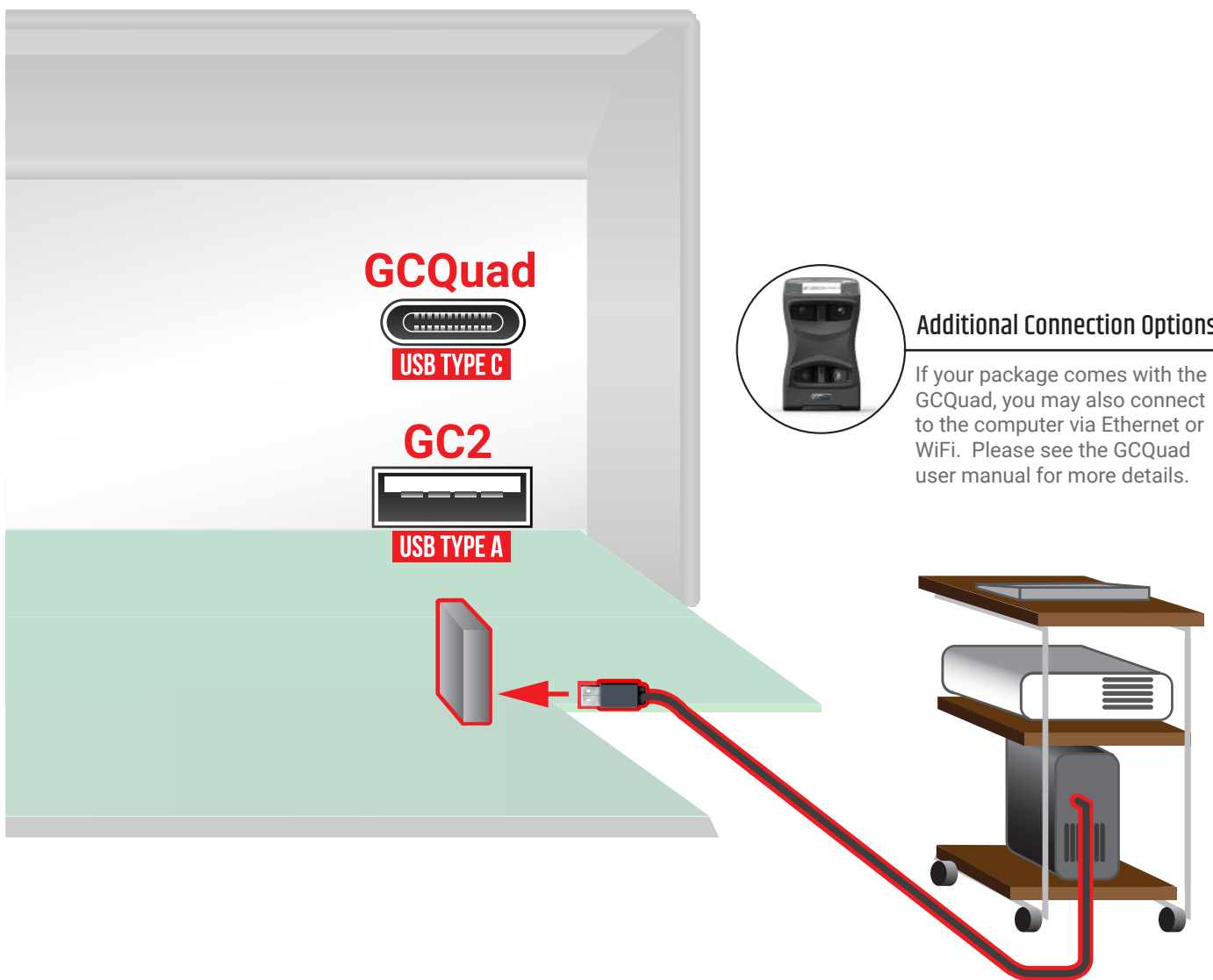
Placement of the launch monitors should be:

	from screen	from centerline
GCQuad	9' 5"	1' 10"
GC2	9' 5"	1' 6"

STEP 4: COMPONENT SETUP

6

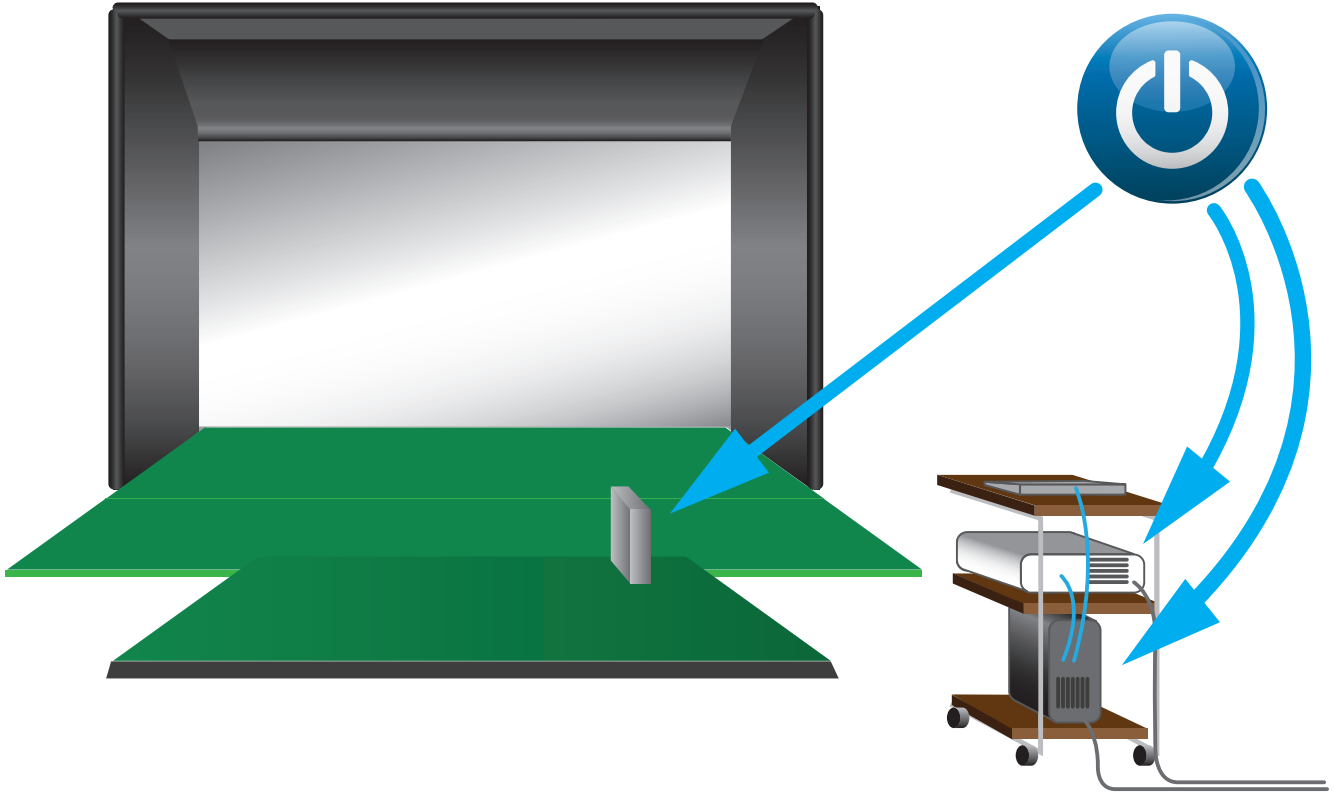
Connect the Launch Monitor to the Computer using the provided USB Cord.
Connect the Launch Monitor to a power source using the provided Power Cord.



STEP 4: COMPONENT SETUP

7

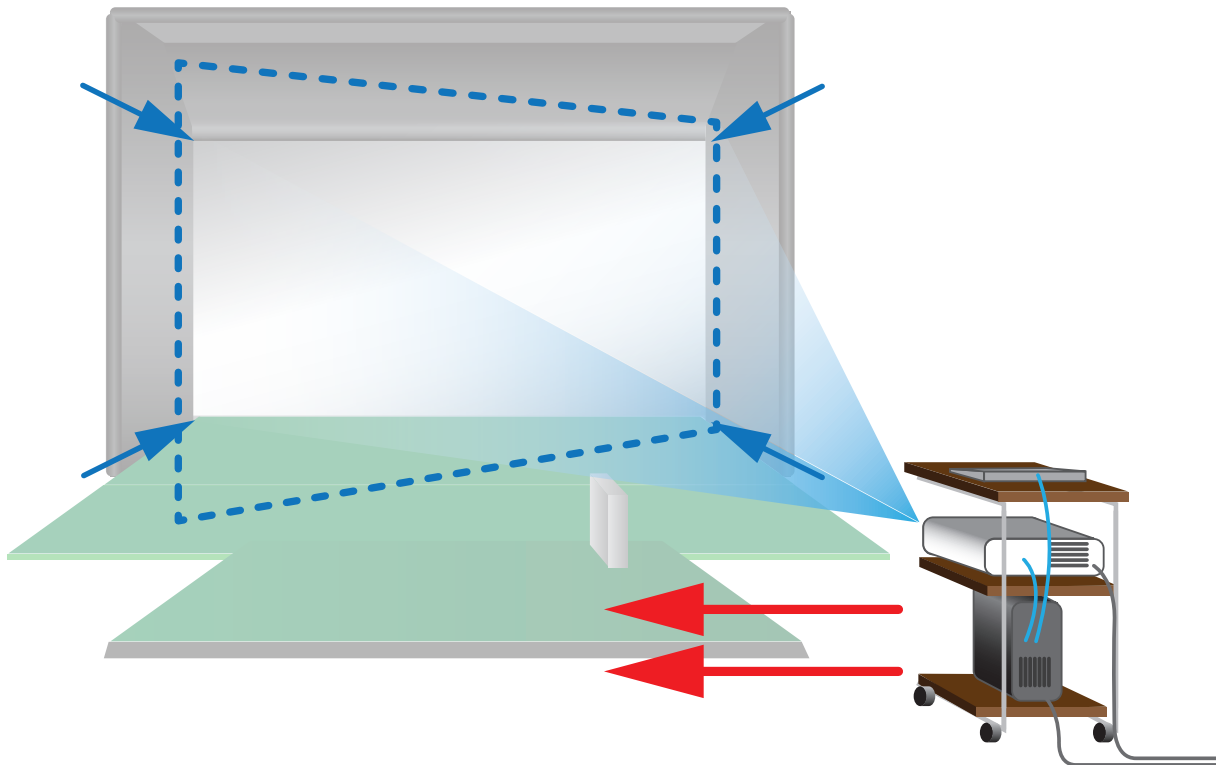
Power ON the Launch Monitor, Computer, and Projector.



STEP 4: COMPONENT SETUP

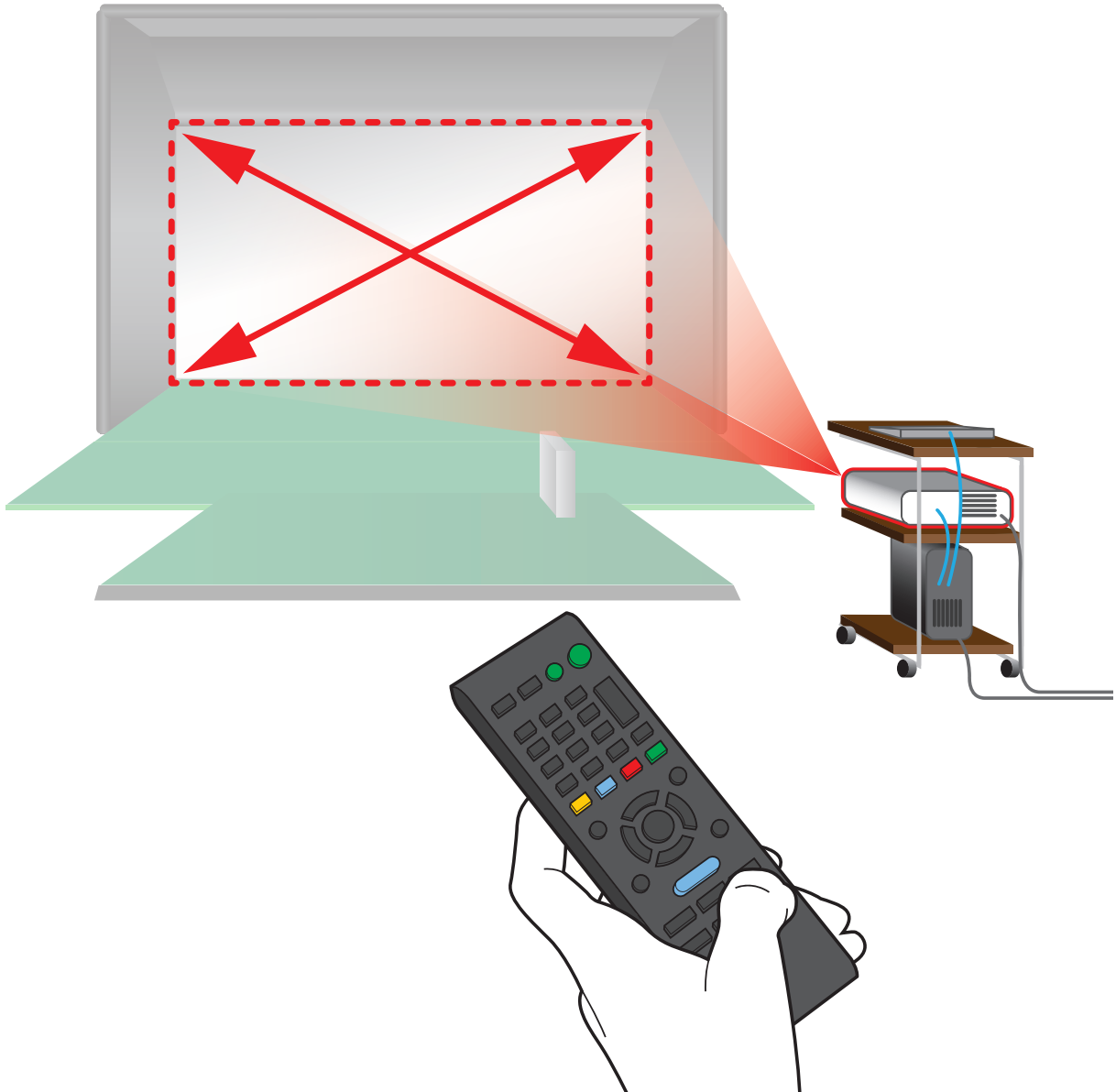
8

With the Projector on and projecting an image, move the Rolling Computer Cart toward the Hitting Screen until the image covers ALL FOUR CORNERS of the screen.



STEP 4: COMPONENT SETUP

- 9 Use the Projector's included remote to calibrate the projector, including aligning the corners of the projected image with the screen (using the KEYSTONING feature).



STEP 5: SOFTWARE SETUP

1

Power on the computer and navigate to the Windows desktop.

Locate the Foresight Sports Software icon on the desktop and double click to launch.

Important! If you FSX Live username and password had been created and provided to your Foresight Sports representative, then we have activated your software and assigned your courses to your username. If you have not done this, please follow the steps below:

Your computer is optimized for our FSX software suite. FSX 2018, golf courses, and Fairgrounds have already been installed - to get started, you must first complete your user registration by visiting FSX Live at: performance.foresightsports.com, then open your FSX 2018 software. All that's left is to activate the courses with our Order Fulfillment team!

When you're ready to activate your golf courses, please make sure you have registered for your **FREE** FSX Live account. Once you've created your FSX Live account, please email our Order Fulfillment team at orderfulfillment@foresightsports.com with the subject line "**Sim-in-a-Box Course Activation**" and the following information in the body of the email:

- FSX Live username
- Sales order number*
- Email registered with FSX Live
- FSX 2018 activation code*

You'll receive an email confirmation when your courses are activated.

*This information can be found on the Setup Insert inside your box.

STEP 5: SOFTWARE SETUP

2

Launch the Foresight Sports Software.

PLEASE NOTE: This software requires internet access to validate.

Internet access will also allow your software to communicate to the Foresight cloud for additional FSX LIVE features.

If you do not have regular internet access, you may setup your software to utilize offline hours using these instructions:

www.foresightsports.com/fsx-2018-offline-hours-activation

3

Connect the Launch Monitor.

Upon launching the software, you may now connect to the Launch Monitor by following these steps:

- 1) Locate the setting icon (Usually a Gear Icon).
- 2) Open the "Devices" tab (Be sure you device is powered on and connected to the computer using the USB Cable).
- 3) Select your launch monitor's Serial Number and select "CONNECT".
If your launch monitor's Serial Number does not appear, select "FILTERS" then select "USB". The launch monitor should now appear.
- 4) If you have any issues, a detailed Connection Guide can be found at:
<https://www.foresightsports.com/fsx-2018-connection-guide>.

STEP 5: SOFTWARE SETUP

4

Navigating the Software.

With the Launch Monitor now connected, you may begin navigating and using the software.

For detailed information on the FSX software, please use the resources below:

FSX Live User Guide:

www.foresightsports.com/fsx-2018-user-manual

Foresight Fairgrounds:

www.foresightsports.com/foresight-fairgrounds-user-manual

All support information can be found by scanning the QR Code below:



www.foresightsports.com/library

